

# MAX-600Z

## BLUETOOTH®/USB/FM PA AND ZONE PA AMPLIFIER

AMPLIFICADOR DE MEGAFONÍA BLUETOOTH®/USB/FM Y ZONAS  
AMPLIFICATEUR PUBLIC ADDRESS BLUETOOTH®/USB/FM ET ZONES  
AMPLIFICADOR DE MEGAFONIA BLUETOOTH®/USB/FM E ZONAS



INSTRUCTION MANUAL/MANUAL DE USUARIO/  
MODE D'EMPLOI/MANUAL DE INSTRUÇÕES

*Designed by*

**FONESTAR**

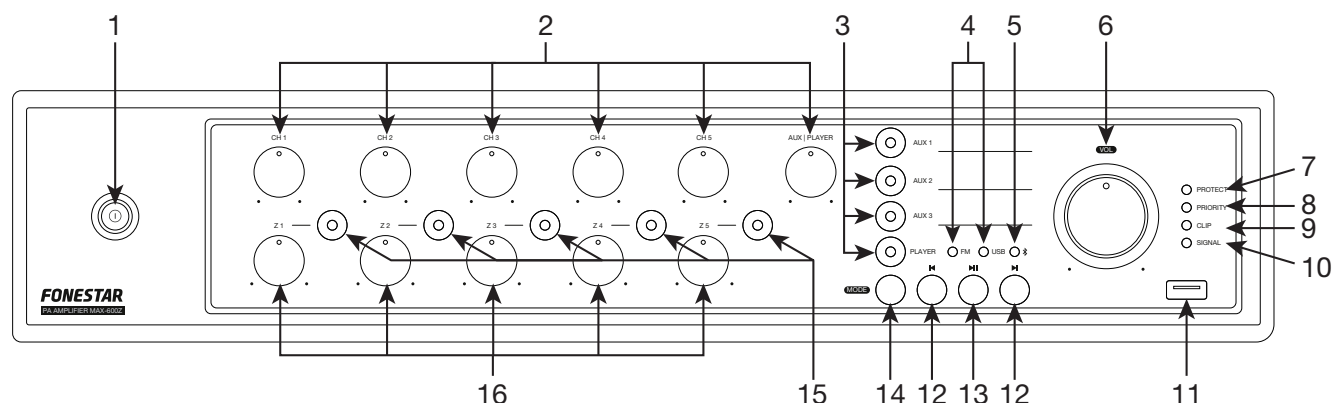
ENGINEERED IN EUROPE

## DESCRIPTION

- High efficiency and reliability Class D amplifier with built-in Bluetooth®/USB player and FM radio.
- 5 input channels, 3 auxiliary inputs and 5 zone outputs with independent volume controls.
- Inputs with adjustable VOX priority control.

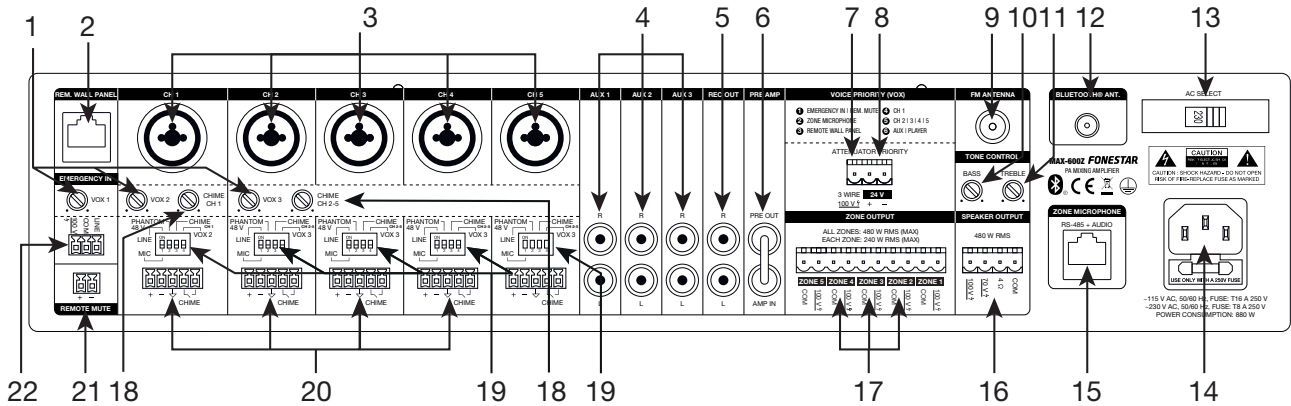
## CONTROLS AND FUNCTIONS

### FRONT PANEL



- 1.- **⓪**: indicator light and on/off switch of the amplifier.
- 2.- **CH 1/CH 2/CH 3/CH 4/CH 5/AUX|PLAYER**: volume controls for inputs CH 1, CH 2, CH 3, CH 4 and CH 5 respectively and AUX|PLAYER for AUX 1-3 and player.
- 3.- **AUX 1/AUX 2/AUX 3/PLAYER**: indicator lights and buttons to activate AUX input 1, AUX 2, AUX 3 or the built-in player (Bluetooth®, FM radio, USB).
- 4.- **FM/USB**: active mode LED indicators on the player.
- 5.- **✳**: Bluetooth® receiver operation indicator light. If there is no paired device it will flash and it will remain fixed when a paired device is present and ready to send audio.
- 6.- **VOL**: master amplifier volume control and amplifier on/off LED indicator.
- 7.- **PROTECT**: protection LED indicator. Lights up when the temperature amplifier protection is activated. With protection enabled, the audio output of that channel is cut off. If this happens, turn off the device, make sure that the vents for air intake and exhaust are free of obstructions and turn down the input volume. Wait a few minutes for the appliance to stabilize before you switch it on again.
- 8.- **PRIORITY**: light indicator for the existence of a signal with VOX priority.
- 9.- **CLIP**: signal peak LED indicator. If it lights up lightly or occasionally you should reduce the output volume. If the indicator light stays on continuously, it is because the input signal is very high. In this case, reduce the volume of the input signal that's causing it.
- 10.- **SIGNAL**: signal LED indicator. Lights up when signal is detected at the outputs.
- 11.- USB port for audio file playback.
- 12.- **⏮/⏭**: a short press, in Bluetooth® or USB mode skips to the previous/next audio track; in FM mode it skips to the previous/next stored frequency. In all modes, a long press decreases/increases the volume of the player.
- 13.- **⏸/⏹**: in Bluetooth® mode, a short press starts/stops audio playback and a long press unpairs the connected device and awaits pairing again. In USB mode, a short press starts/stops audio playback and a long press switches the play mode between: repeat all (1 tone) and shuffle (2 tones). In FM mode, it auto-stores all detected frequencies with sufficient signal quality.
- 14.- **MODE**: Short presses of this button allow you to change the mode on the player to choose the desired audio source: Bluetooth®, USB or FM radio.
- 15.- **Z1/Z2/Z3/Z4/Z5**: light indicators and buttons to activate/deactivate the ZONE 1, ZONE 2, ZONE 3, ZONE 4 and ZONE 5 output zones respectively.
- 16.- **Z1/Z2/Z3/Z4/Z5**: rear panel ZONE 1, ZONE 2, ZONE 3, ZONE 4 and ZONE 5 output zone volume controls.

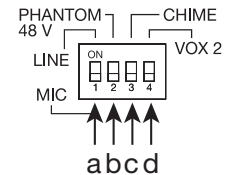
## REAR PANEL



- 1.- **VOX 1/VOX 2/VOX 3:** controls for sensitivity adjustment to give priority to the EMERGENCY IN, CH 1, and CH 2-5 inputs respectively over the other signals. Depending on this setting, the signal level required at the inputs to cut audio from other sources will be higher or lower. Please note the order of priority of the amplifier inputs, for more information see OPERATION - INPUT PRIORITY.
- 2.- **REM. WALL PANEL:** connection port for remote wall panel, RJ45 connector. For more information see section OPERATION - REMOTE WALL PANEL INPUT.
- 3.- **CH 1, CH 2, CH 3, CH 4, CH 5:** VOX audio inputs, balanced combo connectors (XLR and 6.3 mm jack) and euroblock (20). In addition, these inputs have a DIP switch (19) to adjust the sensitivity of the MIC/LINE input, activate phantom power and enable/disable VOX priority (VOX 2 for CH 1 and VOX 3 for CH 2, CH 3, CH 4 and CH 5) and CHIME priority (CHIME CH 1 for CH 1 and CHIME CH 2-5 for CH 2, CH 3, CH 4 and CH 5).
- 4.- **AUX 1/AUX 2/AUX 3:** stereo auxiliary inputs for connection of audio devices such as mixers, computers, etc. 2 x RCA connectors.
- 5.- **REC OUT:** stereo recording output with line level, 2 x RCA connectors.
- 6.- **PRE OUT/AMP IN:** pre-amplifier stage signal output (PRE OUT) and amplifier stage input (AMP IN), RCA connectors. These inputs and outputs have a jumper to connect these 2 stages for the equipment to function as a whole. If you want to use only the pre-amp stage, remove the jumper and connect your amplifier to the PRE OUT output; or if you want to use the amp stage, remove the jumper and connect your mixer/pre-amp output to the AMP IN input.
- 7.- **ATTENUATOR PRIORITY - 3 WIRE:** 100 V audio output for message priority on 3-wire attenuators. It is activated when any of the inputs has priority enabled. For more information, please refer to point 1 and the section OPERATION – 3rd WIRE PRIORITY.
- 8.- **ATTENUATOR PRIORITY - 24 V:** 24 V output for message priority on attenuators with priority relay (4-wire attenuators). This output is at 0 V if no priority is activated, and will provide 24 V when priority is activated. For more information, see section OPERATION - 24 V PRIORITY.
- 9.- **FM ANTENNA:** FM antenna connection input.
- 10.- **TONE CONTROL - BASS:** 100 Hz cut-off frequency low pass filter that attenuates/enhances low frequencies.
- 11.- **TONE CONTROL - TREBLE:** high pass filter with 10 kHz cut-off frequency which attenuates/enhances high frequencies.
- 12.- **BLUETOOTH® ANT:** Bluetooth® signal antenna.
- 13.- **AC SELECT:** power supply voltage selector. If you need to change the voltage you should be aware that the fuse must be modified as specified on the product.
- 14.- 115/230 V amplifier power supply input .
- 15.- **ZONE MICROPHONE:** port for zone microphone connection, RJ45 connector. For further information see section OPERATION - ZONE MICROPHONE INPUT.

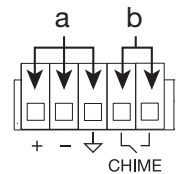
- 16.- **SPEAKER OUTPUT:** 4  $\Omega$  low impedance, 100 V and 70 V line, 600 W RMS speaker outputs, euroblock connector. Please note that the choice of low impedance speakers must conform to the amplifier specifications for serial or parallel connection (only parallel for 100 V line) to obtain power and impedance appropriate to the amplifier output.
- 17.- **ZONE OUTPUT:** 100 V line speaker outputs, euroblock connector. Each zone is limited to a maximum of 240 W RMS and the sum of the 5 zones cannot exceed the 600 W RMS provided by the amplifier. Please note that the choice of low impedance speakers must conform to the amplifier specifications for serial or parallel connection to obtain power and impedance appropriate to the amplifier output.
- 18.- **CHIME CH 1, CHIME CH 2-5:** CHIME volume controls. CHIME CH 1 for CH 1 and CHIME CH 2-5 for CH 2, CH 3, CH 4 and CH 5.
- 19.- DIP selectors:

- a.- **LINE/MIC:** modifies microphone input (MIC) sensitivity or for players/mixers (LINE).
- b.- **PHANTOM 48 V:** enables/disables the PHANTOM 48 V power at the connectors of this input, required for condenser microphones.
- c.- **CHIME:** enables/disables CHIME tone generation function when a contact closure is performed on the corresponding CHIME entry.
- d.- **VOX 1-3:** enables/disables the priority of this input.



- 20.- Euroblock connector:

- a.- +, -,  $\downarrow$  : input terminals for connection of the balanced input signal. CH 1 has another combo connector for connection of the input signal, CH 2, CH 3, CH 4 and CH 5 only has this euroblock connector for connecting the input signal. In addition, this input has DIP switches (19) to adjust the sensitivity of the MIC/LINE input, enable phantom power, and enable/disable VOX and CHIME priority.
- b.- **CHIME:** closing contacts to trigger a CHIME tone.



- 21.- **REMOTE MUTE:** allows to remotely mute all amplifier inputs except EMERGENCY IN with the help of a switch. Euroblock connector. This input is in open circuit, to silence it you must close the circuit.
- 22.- **EMERGENCY IN:** 100 V line level audio emergency system input connection, euroblock. If it is a line signal use LINE and COM, if it is 100 V use 100 V and COM.

**NOTE:** the 100 V EMERGENCY IN input only supports 100 V and COM signals. The 100 V output on some Class D amplifiers delivers -50 V and +50 V (BTL) instead of 100 V and COM. Such 100 V outputs (+50 V, -50 V) are not compatible with this input as the ground port will receive a -50 V signal which could cause the amplifier providing the output to detect a fault and activate its protection mechanism.

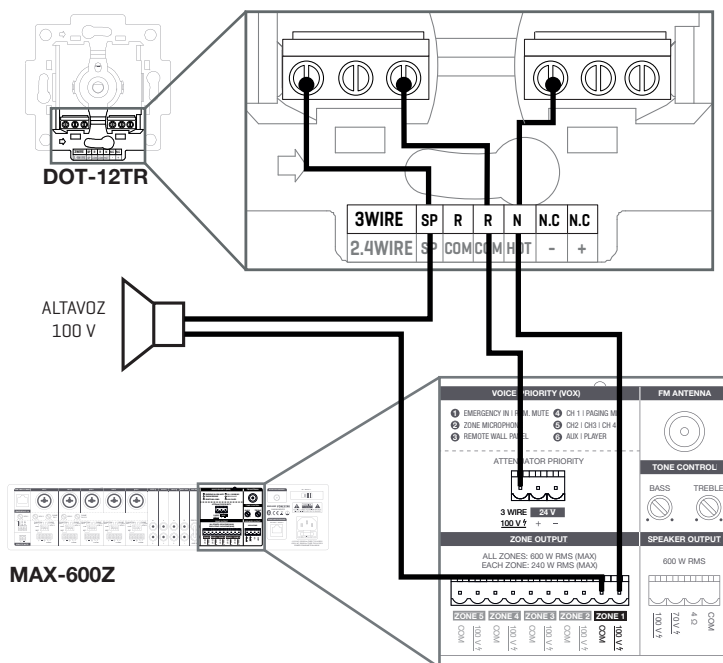
## OPERATION

### INPUT PRIORITY

- The VOX priority of the various inputs is activated by signal level and can be regulated with the VOX controls on the rear panel.
- The priority of CH 1-5 can be disabled by means of DIP-switch VOX 2 (CH 1) or VOX 3 (CH 2-5).
- Priority order:
  - 1.- The EMERGENCY IN input has the highest priority, attenuating all other inputs when a signal is present. This priority is signal-level-based and can be selected using the VOX 1 control.
  - 2.- The REMOTE MUTE input attenuates all inputs except the EMERGENCY IN input when a contact closure/opening occurs at its terminals, depending on the configuration.
  - 3.- The ZONE MICROPHONE input has priority over the REMOTE WALL PANEL, CH 1, CH 2, CH 3, CH 4, CH 5, AUX and the player inputs.
  - 4.- The REMOTE WALL PANEL input has priority over CH 1, CH 2, CH 3, CH 4, CH 5, AUX, and the player inputs.
  - 5.- The CH 1 input has priority over CH 2, CH 3, CH 4, CH 5, AUX, and the player. This priority is signal-level-based and can be selected using the VOX 2 control.
  - 6.- The CH 2, CH 3, CH 4 and CH 5 inputs have priority over AUX 1, AUX 2, AUX 3, and the player, and this can be selected using the VOX 3 control.
  - 7.- The AUX 1, AUX 2, AUX 3, and player inputs have no priority over the other inputs.

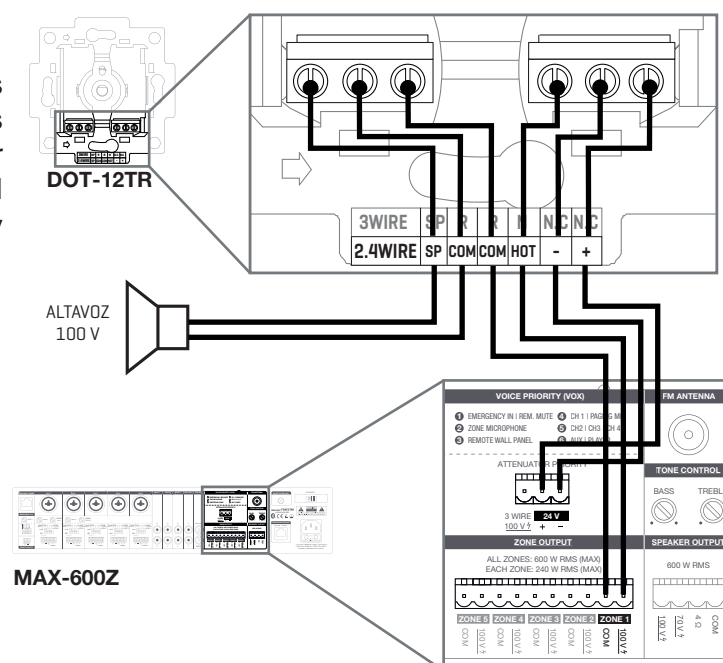
### 3rd WIRE PRIORITY

For connection to three-wire attenuators such as the **DOT-12TR**. When a signal is present at the 3WIRE PIN, which contains the 100 V audio signal, it will be passed directly to the loudspeaker without any attenuation.



### 24 V PRIORITY

For connection with 4-wire attenuators such as the **DOT-12TR**. When the 3WIRE PIN provides a 24 V DC signal, the signal from the amplifier that was passing through the attenuator will pass directly to the loudspeaker without any attenuation.



### PLAYER

To use the player, you must activate this input by pressing the PLAY button and the indicator light of this button will turn on. Select the mode with the MODE button:

#### BLUETOOTH MODE

- Select Bluetooth® mode on the amplifier to pair the smartphone or tablet from which you wish to send audio. The indicator light will flash indicating that it is ready to link.
- On your smartphone/tablet, activate Bluetooth® mode, search for the **MAX-600Z** device and select it. The indicator light will be permanently lit to indicate that it is linked.
- Finally, select the music on your smartphone/tablet and start playback.
- Press **◀** and **▶** to change the song or **⏸** to pause/resume playback.

**NOTE:** make sure that your smartphone/tablet is loud enough to be heard through the amplifier. This allows you to control the volume from the amplifier itself at a later time without having to operate any other equipment.

## FM RADIO MODE

- Select FM mode.

**NOTE:** To use this mode, you need to connect an antenna to FM ANTENNA on the rear panel.

- Perform an automatic tuning of the stations to start using this mode by long pressing the button ►||.
- Once finished, you can select the station you wish to listen to from among those already set with ◀ and ▶.

## USB MODE

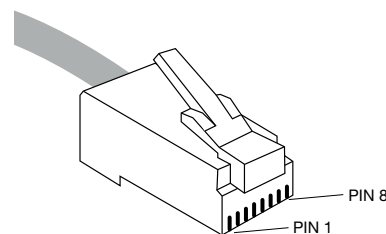
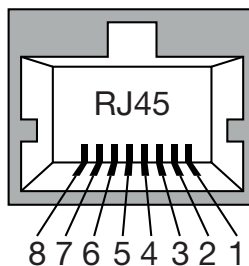
- Select USB mode.
- Connect the USB device.
- Press ◀ and ▶ to change the song or ►|| to pause/resume playback.
- You can change the play mode between repeat all (1 tone) and shuffle (2 tones) by long pressing the ►|| button.

## ZONE MICROPHONE INPUT

Input for connecting zone microphones such as the **ZONEMIC-6** which can be used for announcing 1 or more zones. These announcements may be live or recorded messages.

**NOTE:** up to a total of 4 **ZONEMIC-6** microphone units can be cascaded, taking into account that the total wiring may not exceed 200 metres, from the **MAX-600Z** amplifier to the last microphone in the installation. The pinout of the female RJ45 connector of the **MAX-600Z** amplifier is:

CONNECTOR FEMALE	PINOUT T-568B	FUNCTION	
Pin 1	White-Orange	audio+	Balanced audio signal
Pin 2	Orange	audio-	
Pin 3	White-Green	GND	
Pin 4	Blue	D+ (A)	RS485 communication
Pin 5	White-Blue	D- (B)	
Pin 6	Green	+15 V DC	Power supply
Pin 7	White-Brown	GND	
Pin 8	Brown	-15 V DC	

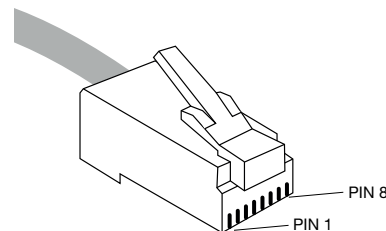
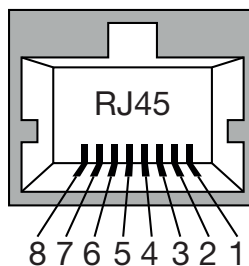


## REMOTE WALL PANEL INPUT

On an audio input providing 15 V DC power. Normally for connecting a remote wall connection panel or the output of a mixer/player. Due to its priority, this signal will not be mixed with the other signals of CH 1-5 or AUX integrated in the amplifier.

The pinout of the female RJ45 connector of the **MAX-600Z** amplifier is:

CONNECTOR FEMALE	PINOUT T-568B	FUNCTION	
Pin 1	White-Orange	audio +	Balanced L channel
Pin 2	Orange	audio -	
Pin 3	White-Green	GND	
Pin 4	Blue	audio +	Balanced R channel
Pin 5	White-Blue	audio -	
Pin 6	Green	GND	
Pin 7	White-Brown	+15 V DC	Power supply
Pin 8	Brown	GND	



## CONNECTION

**IMPORTANT:** cool the power amplifier properly. To do this, make sure that the place where it is installed has access to airflow and that the slots in the chassis are free of obstructions.

- With the amplifier turned off, connect all CH, AUX and EMERGENCY IN audio sources and select the LINE/MIC input type and enable/disable PHANTOM power on channels CH 1 to CH 5 using the DIP switches on each input channel.

(OPTIONAL) Connect the zone microphone and wall panel.

If you are going to use the FM radio, you will need to connect an FM receiver antenna.

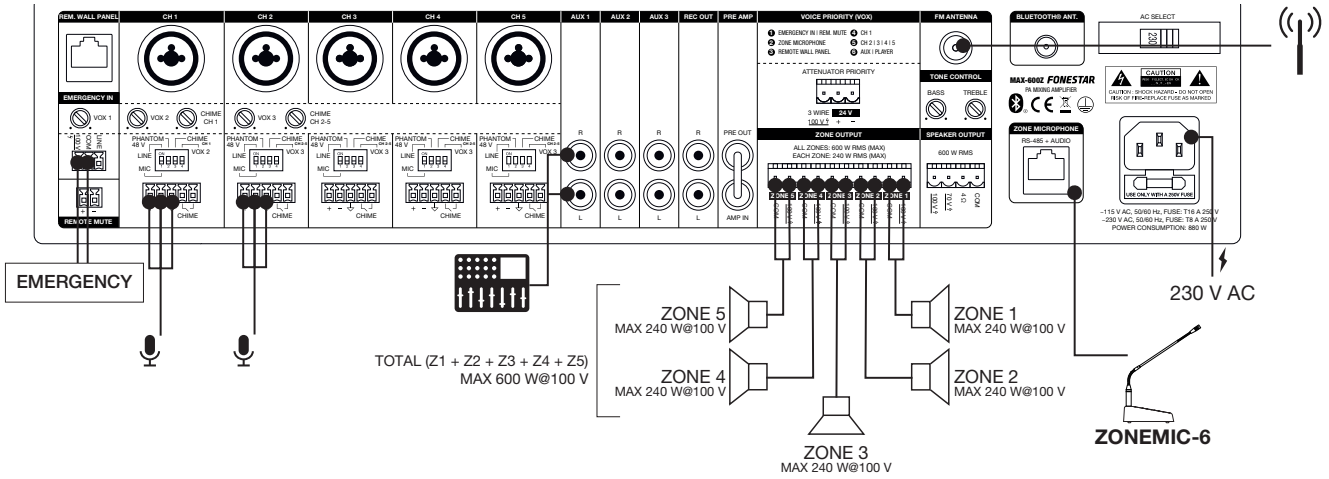
- Connect the loudspeakers to the corresponding low impedance output\* (4  $\Omega$  + COM), 100 V line\* (100 V + COM), 70 V line\* (70 V + COM), zones\* (ZONE 1-5) or to the stereo recording output (REC OUT).

**\*IMPORTANT:** for proper operation and performance of the device, use the correct power, impedance and frequency limits. Before connecting to other equipment, be aware of the conditions required in a HIGH IMPEDANCE (100 V) and LOW IMPEDANCE installation. More information can be found at:

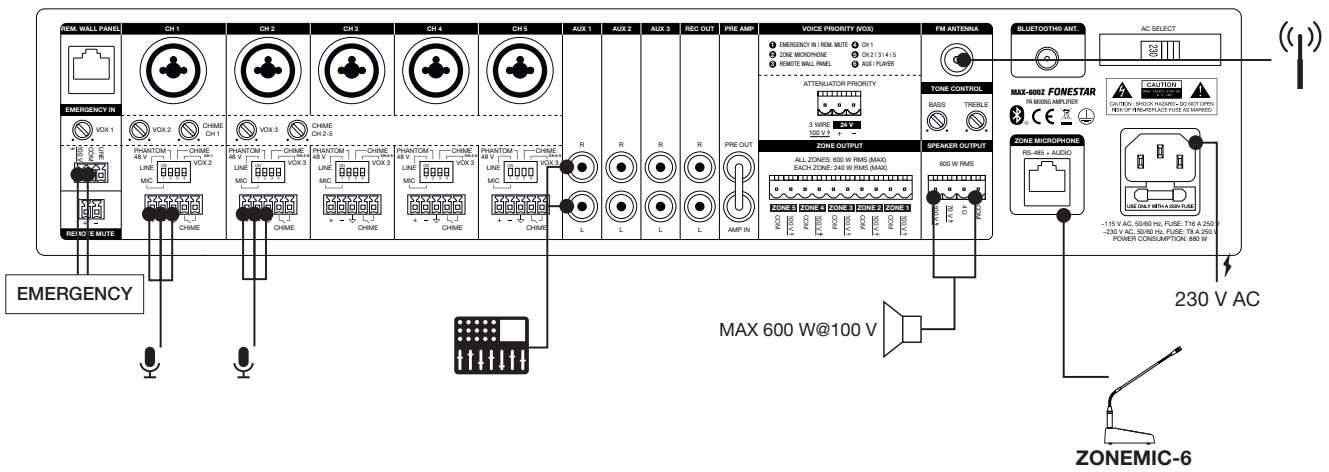
[fonestar.com/downloads/install\\_fonestar\\_es.pdf](http://fonestar.com/downloads/install_fonestar_es.pdf)

- Check that the volume and gain controls are at minimum and connect the amplifier to power.
- Turn on the amplifier and activate the AUX or PLAY input and outputs (if using the ZONES output) you wish to use using the buttons on the front panel of the amplifier.
- Check the volume controls for inputs, outputs, and master volume.
- PRIORITY: enable priority on the desired inputs using the DIP microswitches and regulate sensitivity using the VOX controls on the inputs.
- Finally, adjust the equalisation using the BASS and TREBLE controls on the rear panel.

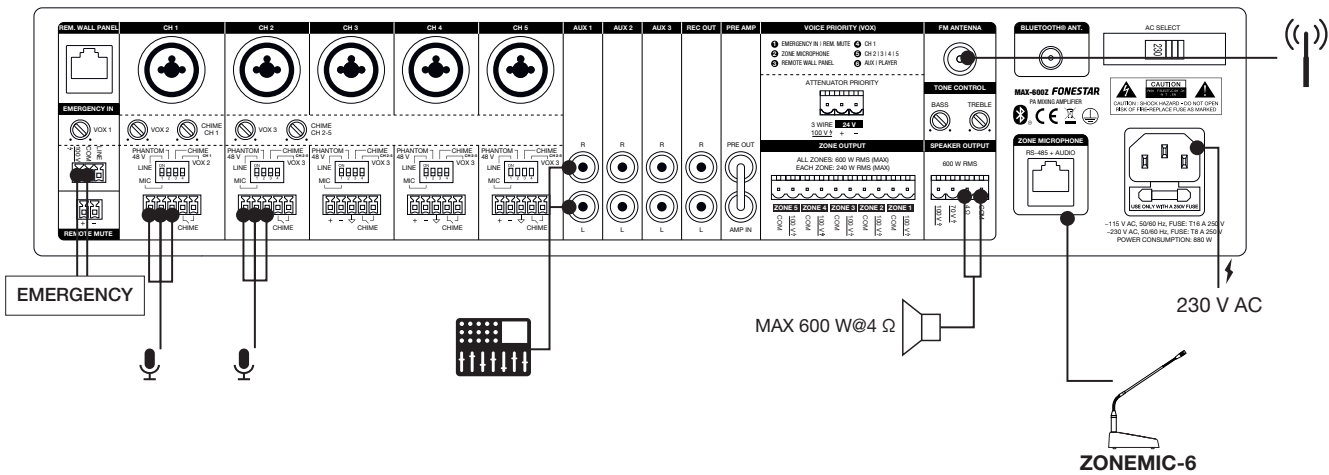
### 5 ZONES - 100 V LINE



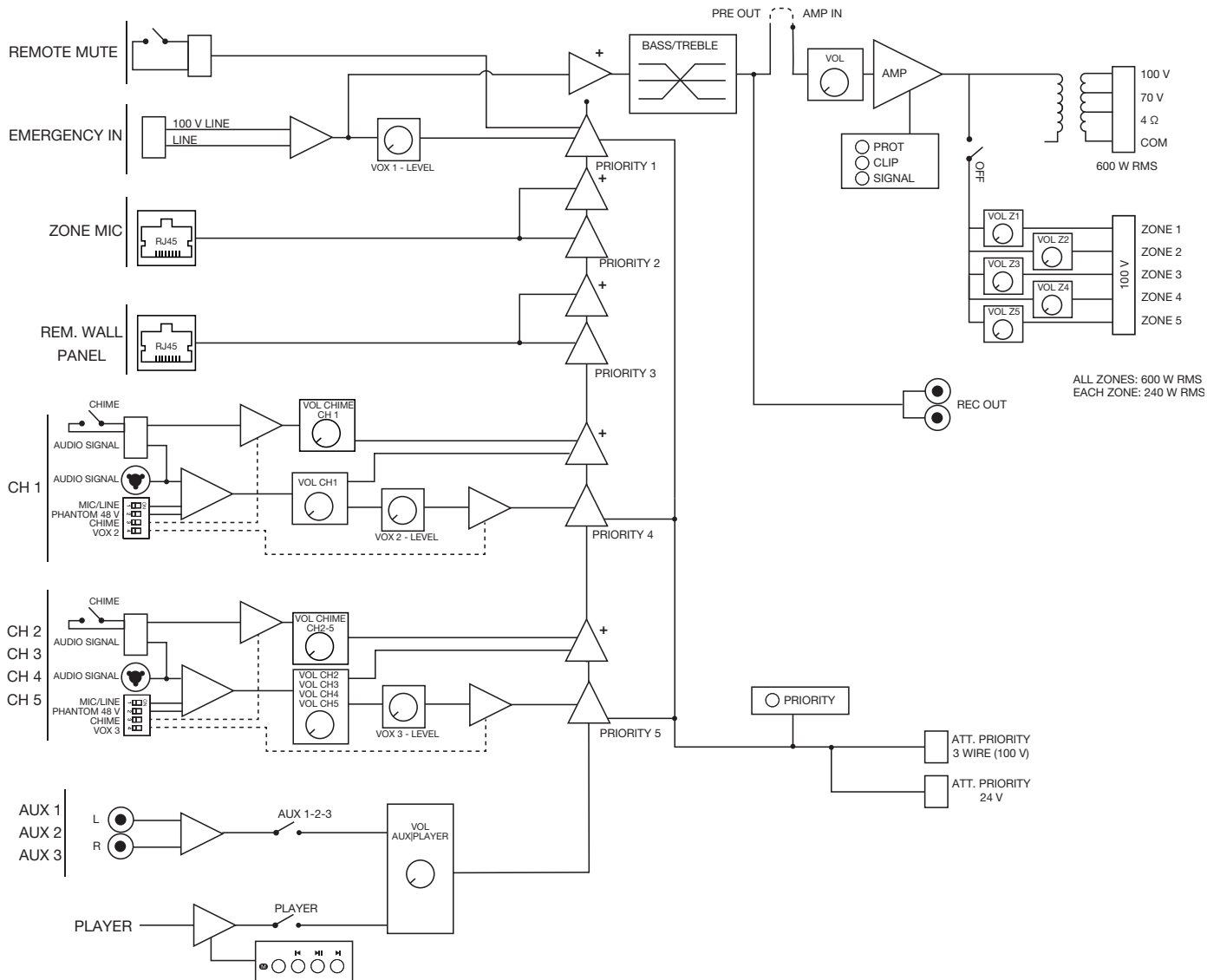
### 100 V LINE



### LOW IMPEDANCE



# BLOCK DIAGRAM



## SIMPLIFIED EU DECLARATION OF CONFORMITY

FONESTAR SISTEMAS S.A. hereby declares that the BLUETOOTH/USB/FM PA and zone PA amplifier MAX-600Z  
 The complete text of the EU Declaration of Conformity is available at the following internet address: [fonestar.com/MAX-600Z](http://fonestar.com/MAX-600Z)

# TECHNICAL SPECIFICATIONS

MAX-600Z	
<b>FEATURES</b>	Class D public address amplifier with switched-mode power supply (SMPS). Bluetooth/USB/FM player. Zone microphone input for ZONEMIC-6. Input for remote wall panel. Microphone inputs with mix control, gain and priority level. Chime tone generator. 3 auxiliary inputs. Emergency input and mute for connection to alarm and evacuation systems. 24 V attenuator priority. 3rd wire output (100 V) with priority for attenuators. Tone controls. 100 V, 70 V and 4 Ω outputs. 5 output zones with volume control and Off.
<b>POWER</b>	600 W RMS

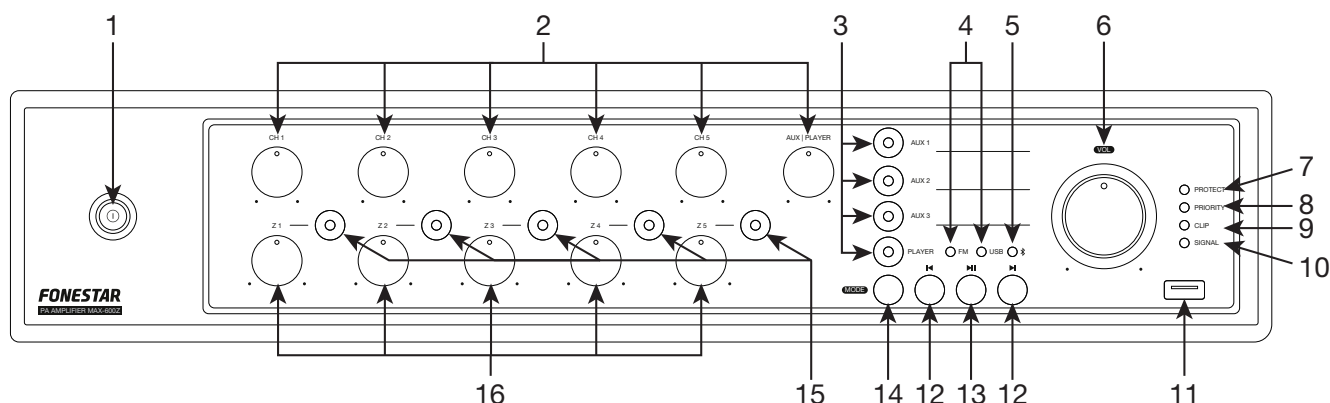
<b>RESPONSE</b>	45-22,000 Hz (-10 dB)
<b>DISTORTION</b>	THD+N: <0.5% at 1 kHz
<b>S/N RATIO</b>	Mic >73 dB, Line >80 dB, Aux >84 dB
<b>PROTECTIONS</b>	Soft start, over-current, overload, over-temperature and short circuit
<b>INPUTS</b>	<p>Zone microphone ZONEMIC-6, RJ45, up to 200 m cable length.</p> <p>Remote wall panel, RJ45, 2 × 250 mV RMS (-12 dBV).</p> <p>CH 1, 2, 3, 4 and 5 balanced mic/line with 48 V Phantom. Combo connector (XLR + 6.3 mm) and euroblock.</p> <p>Chime tones by contact closure.</p> <p>Mic signal level: 5.2 mV RMS (-45 dBV) / 600 Ω.</p> <p>Line signal level: 220 mV RMS (-13 dBV) / 100 kΩ.</p> <p>3 AUX. 2 × RCA connector. Signal level 270 mV RMS (-11 dBV) / 47,000 Ω.</p> <p>1 emergency input. Euroblock connector. Signal level: line 326 mV RMS (-10 dBV) or 100 V line.</p> <p>Mute (Emergency Priority) by contact closure. Euroblock connector.</p> <p>1 Amp-in. RCA connector. Signal level 1.2 V RMS (+1.5 dBV).</p>
<b>OUTPUTS</b>	<p>1 REC. 2 × RCA connector. Signal level 316 mV RMS (-10 dBV). Pre-master.</p> <p>1 Pre-out. RCA connector. Signal level 1.2 V RMS (+1.5 dBV).</p> <p>100 V, 70 V or 4 Ω speaker output, or 5 zones of 100 V speakers with 7-position volume selector and OFF (Maximum 240 W per zone). Euroblock connector.</p> <p>1 Attenuator priority, 24 V 100 mA and contact closure. Euroblock connector.</p> <p>1 3rd wire priority output for attenuators (100 V).</p>
<b>FUNCTIONS</b>	<p>Input priority (in order of attenuation):</p> <ul style="list-style-type: none"> <li>· 100 V Emergency input with selectable signal level (VOX)</li> <li>· Mute via contact closure</li> <li>· ZONEMIC-6 zone microphone</li> <li>· Remote wall panel</li> <li>· Channel 1 with selectable signal level (VOX)</li> <li>· Channels 2   3   4   5 with shared selectable signal level CH 2-3-4-5 (VOX)</li> <li>· Auxiliary inputs   Player</li> </ul> <p>Illuminated power ring on the volume control, AUX input, zones and player indicators.</p> <p>LED indicators for power, signal, clip, priority activation and protection.</p> <p>Induction cooling, fanless. Silent and maintenance-free.</p>
<b>CONTROLS</b>	<p>Microphone volume</p> <p>Master volume</p> <p>Auxiliary input selector or player</p> <p>Zones with power on and 7 volume positions</p> <p>Tone: bass and treble (±10 dB 100 Hz and 10k Hz).</p> <p>Mic/line/phantom selector, ring tones and priority</p> <p>Ringing tone level (chime)</p> <p>Priority activation signal level (VOX)</p>
<b>PLAYER</b>	<p>Bluetooth/USB/FM player for background music playback</p> <p>Bluetooth 5.3</p> <p>Autoplay, starts playback automatically when powered on</p> <p>Last selected mode memory</p> <p>Playback mode memory (random, repeat)</p>
<b>IMPEDANCE</b>	4 Ω and 100 V (16'7 Ω) and 70 V (8'17 Ω) line, euroblock
<b>TEMPERATURE</b>	<p>Operation: -10° ~ 40°C</p> <p>Storage: -20° ~ 60°C</p>
<b>MAXIMUM HUMIDITY</b>	90%
<b>POWER SUPPLY</b>	<p>230/115 V AC 50-60Hz</p> <p>Power consumption: 680 W</p> <p>AC fuse 230 V 8 A / 115 V 16 A</p>
<b>DIMENSIONS</b>	430 x 89 x 320 mm depth. 2 U 19" rack
<b>INCLUDES</b>	<p>FM antenna</p> <p>Bluetooth antenna.</p> <p>Power cable</p> <p>Rack mounts</p>
<b>OPTIONAL</b>	ZONEMIC-6: Zone microphone

## DESCRIPCIÓN

- Amplificador clase D de alta eficiencia y fiabilidad con reproductor Bluetooth®/USB y radio FM integrados.
- 5 canales de entrada, 3 entradas auxiliares y 5 zonas de salida con controles de volumen independientes.
- Entradas con control de prioridad regulable VOX.

## CONTROLES Y FUNCIONES

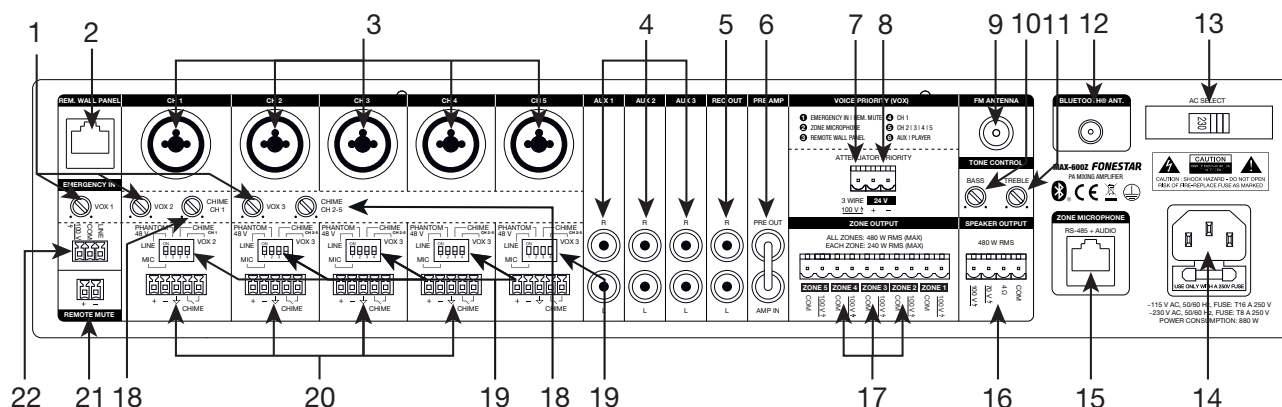
### PANEL FRONTAL



- 1.- **Ⓞ**: indicador luminoso e interruptor de encendido/apagado del amplificador.
- 2.- **CH 1/CH 2/CH 3/CH 4/CH 5/AUX|PLAYER**: controles de volumen de las entradas CH 1, CH 2, CH 3, CH 4 y CH 5 respectivamente y AUX|PLAYER para AUX 1-3 y el reproductor.
- 3.- **AUX 1/AUX 2/AUX 3/PLAYER**: indicadores luminosos y botones para activar la entrada AUX 1, AUX 2, AUX 3 o el reproductor integrado (Bluetooth®, radio FM, USB).
- 4.- **FM/USB**: indicadores luminosos del modo activo en el reproductor.
- 5.- **⌘**: indicador luminoso de funcionamiento del receptor Bluetooth®. Si no hay ningún dispositivo vinculado parpadeará y permanece fijo cuando existe un dispositivo vinculado y listo para enviar audio.
- 6.- **VOL**: control de volumen general del amplificador e indicador luminoso de encendido/apagado del amplificador.
- 7.- **PROTECT**: indicador luminoso de protección. Se enciende cuando se activa la protección del amplificador por temperatura. Con la protección activada se corta la salida de audio. Si esto sucede, apague el equipo, asegúrese de que las ranuras de recogida y expulsión de aire están libres de obstáculos y baje el volumen de las entradas. Espere unos minutos a que el aparato se estabilice antes de volver a encenderlo.
- 8.- **PRIORITY**: indicador luminoso de existencia de alguna señal con prioridad VOX.
- 9.- **CLIP**: indicador luminoso de pico de señal. Si se enciende ligera u ocasionalmente debe reducir el volumen de salida. Si el indicador luminoso permanece encendido continuamente es debido a que la señal de entrada tiene un nivel muy elevado. En este caso, reduzca el volumen de la señal de entrada que lo esté ocasionando.
- 10.- **SIGNAL**: indicador luminoso que indica la presencia de señal. Se enciende cuando se detecta señal de salida.
- 11.- Puerto USB para la reproducción de archivos de audio.
- 12.- **⏪ / ⏩**: una pulsación corta, en modo Bluetooth® o USB pasa a la anterior/siguiente pista de audio; en modo FM pasa a la frecuencia memorizada anterior/siguiente. En todos los modos, una pulsación larga disminuye/aumenta el volumen del reproductor.
- 13.- **⏸**: en modo Bluetooth®, una pulsación corta inicia/detiene la reproducción de audio y una pulsación larga desvincula el dispositivo conectado y permanece a la espera de ser vinculado de nuevo. En modo USB, una pulsación corta inicia/detiene la reproducción de audio y una pulsación larga permite cambiar el modo de reproducción entre: repetir todo (1 tono) y reproducción aleatoria (2 tonos). En modo FM, una pulsación larga inicia la memorización automática de todas las frecuencias que se detectan con una calidad de señal suficiente.
- 14.- **MODE**: pulsaciones cortas de este botón permite cambiar el modo en el reproductor para elegir la fuente de audio deseada: Bluetooth®, USB o radio FM.

- 15.- **Z1/Z2/Z3/Z4/Z5**: indicadores luminosos y botones para activar/desactivar las zonas de salida ZONE 1, ZONE 2, ZONE 3, ZONE 4 y ZONE 5 respectivamente.
- 16.- **Z1/Z2/Z3/Z4/Z5**: controles de volumen de las zonas de salida ZONE 1, ZONE 2, ZONE 3, ZONE 4 y ZONE 5 del panel posterior.

## PANEL POSTERIOR

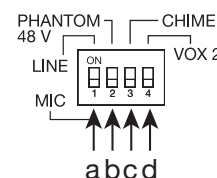


- 1.- **VOX 1/VOX 2/VOX 3**: controles para el ajuste de la sensibilidad para realizar prioridad de las entradas EMERGENCY IN, CH 1 y CH 2-5 respectivamente sobre el resto de señales. En función de este ajuste el nivel de señal necesario en las entradas para cortar el audio del resto de fuentes menos prioritarias será mayor o menor. Tenga en cuenta el orden de prioridad de las entradas del amplificador, para más información diríjase al apartado FUNCIONAMIENTO - PRIORIDAD DE LAS ENTRADAS.
- 2.- **REM. WALL PANEL**: puerto de conexión para panel de pared remoto, conector RJ45. Para más información consulte el apartado FUNCIONAMIENTO - ENTRADA PANEL DE PARED REMOTO.
- 3.- **CH 1, CH 2, CH 3, CH 4, CH 5**: entradas de audio VOX, conectores balanceados combo (XLR y jack 6'3 mm) y euroblock (20). Además, estas entradas disponen de un selector DIP (19) para ajustar la sensibilidad de la entrada MIC/LINE, activar la alimentación phantom y habilitar/deshabilitar la prioridad VOX (VOX 2 para CH 1y VOX 3 para CH 2, CH 3 CH 4 y CH 5) y CHIME (CHIME CH para CH 1 y CHIME CH 2-5 para CH 2, CH 3, CH 4 y CH 5).
- 4.- **AUX 1/AUX 2/AUX 3**: entradas auxiliares estéreo para la conexión de dispositivos de audio como mesas de mezclas, ordenadores, etc. Conectores 2 x RCA.
- 5.- **REC OUT**: salida de grabación estéreo con nivel de línea, conectores 2 x RCA.
- 6.- **PRE OUT/AMP IN**: salida de señal de la etapa de preamplificador (PRE OUT) y entrada de la etapa de amplificación (AMP IN), conectores RCA. Estas entrada y salida disponen de un puente para conectar estas 2 etapas para que el equipo funcione en su conjunto. Si desea utilizar sólo la etapa de preamplificación, quite el puente y conecte su amplificador a la salida PRE OUT; o si desea utilizar la etapa de amplificación, quite el puente y conecte la salida de su mesa de mezclas/preamplificador a la entrada AMP IN.
- 7.- **ATTENUATOR PRIORITY - 3 WIRE**: salida de audio de 100 V para prioridad de mensaje en atenuadores por tercer hilo (atenuadores de 3 hilos). e activa cuando alguna de las entradas tiene la prioridad activada. Para más información consulte el punto 1 y el apartado FUNCIONAMIENTO - PRIORIDAD 3er HILO.
- 8.- **ATTENUATOR PRIORITY - 24 V**: salida de 24 V para prioridad de mensajes en atenuadores con relé de prioridad (atenuadores de 4 hilos). Esta salida se encuentra a 0 V si no hay ninguna prioridad activada, y proporcionará 24 V cuando se active la prioridad. Para más información consulte el apartado FUNCIONAMIENTO - PRIORIDAD 24 V.
- 9.- **FM ANTENNA**: entrada para la conexión de una antena para FM.
- 10.- **TONE CONTROL - BASS**: filtro paso bajo con frecuencia de corte de 100 Hz que atenúa/realza las frecuencias bajas.
- 11.- **TONE CONTROL - TREBLE**: filtro paso alto con frecuencia de corte de 10 kHz que atenúa/realza las frecuencias altas.

- 12.- **BLUETOOTH® ANT:** antena de señal Bluetooth®.
- 13.- **AC SELECT:** selector de voltaje de alimentación. Si necesita cambiar el voltaje deberá tener en cuenta que el fusible debe modificarse según se especifica en el producto.
- 14.- Entrada de alimentación eléctrica del amplificador 115/230 V.
- 15.- **ZONE MICROPHONE:** puerto para la conexión de micrófono de zonas, conector RJ45. Para más información consulte el apartado FUNCIONAMIENTO - ENTRADA MICRÓFONO DE ZONAS.
- 16.- **SPEAKER OUTPUT:** salida de altavoces de baja impedancia 4 Ω, línea de 100 V y línea de 70 V de 600 W RMS, conector euroblock. Tenga en cuenta que la elección de los altavoces debe ajustarse a las especificaciones del amplificador para que realice su conexionado en serie o paralelo (sólo paralelo para línea 100 V) y se obtenga una potencia e impedancia adecuadas a la salida del amplificador.
- 17.- **ZONE OUTPUT:** salidas de altavoces de línea de 100 V, conector euroblock. Cada una de las zonas está limitada a un máximo de 240 W RMS y, la suma de las 5 zonas no puede superar 600 W RMS que proporciona el amplificador. Tenga en cuenta que la elección de los altavoces deben ajustarse a las especificaciones del amplificador para que realice su conexionado en paralelo y se obtenga una potencia e impedancia adecuadas a la salida del amplificador.
- 18.- **CHIME CH 1, CHIME CH 2-5:** controles de volumen del tono CHIME. CHIME CH 1 para CH 1 y CHIME CH 2-5 para CH 2, CH 3, CH 4 y CH 5.

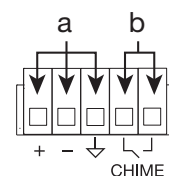
19.- Selectores DIP:

- a.- **LINE/MIC:** modifica la sensibilidad de la entrada para micrófonos (MIC) o para reproductores/mezcladores (LINE).
- b.- **PHANTOM 48 V:** habilita/deshabilita la alimentación PHANTOM 48 V en los conectores de esta entrada, necesaria para micrófonos de condensador.
- c.- **CHIME:** habilita/deshabilita la función de generar un tono CHIME cuando se realiza un cierre de contactos en la entrada CHIME correspondiente.
- d.- **VOX 1-3:** activa/desactiva la prioridad de esta entrada.



20.- Conector euroblock:

- a.- +, -, ↓ : terminales de entrada para la conexión de la señal de entrada balanceada. CH 1 dispone de otro conector combo para conectar la señal de entrada, CH 2, CH 3, CH 4 y CH 5 sólo dispone de este conector euroblock para la conexión de la señal de entrada. Además, estas entradas disponen de selectores DIP (19) para ajustar la sensibilidad de la entrada MIC/LINE, activar la alimentación phantom y habilitar/deshabilitar la prioridad VOX y CHIME.
- b.- **CHIME:** cierre de contactos para accionar un tono CHIME.



- 21.- **REMOTE MUTE:** permite silenciar de forma remota todas las entradas del amplificador, excepto EMERGENCY IN, con ayuda de un interruptor. Conector euroblock. Esta entrada se encuentra en circuito abierto, para silenciarlo deberá cerrar el circuito.
- 22.- **EMERGENCY IN:** entrada de audio de nivel de línea o 100 V para conectar un sistema de emergencia, euroblock. Si es una señal de línea utilice LINE y COM, si es de 100 V utilice 100 V y COM.

**NOTA:** la entrada de EMERGENCY IN de 100 V sólo admite señales 100 V y COM. La salida 100 V en algunos amplificadores de Clase D entrega -50 V y +50 V (BTL) en lugar de 100 V y COM. Este tipo de salidas 100 V (+50 V,-50 V) no son compatibles con esta entrada ya que por el puerto de masa recibirá una señal de -50 V que podrían provocar que el amplificador que proporciona la salida detectara fallo y activara su mecanismo de protección.

## FUNCIONAMIENTO

### PRIORIDAD DE LAS ENTRADAS

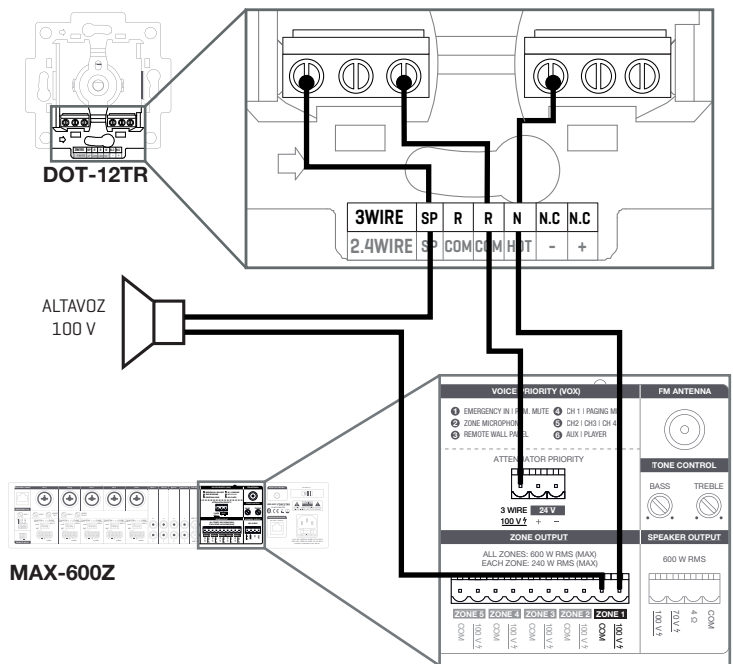
- La prioridad VOX de las distintas entradas se activa por nivel de señal y se puede regular con los controles VOX del panel trasero.
- La prioridad de los CH 1-5 puede deshabilitarse mediante el microinterruptor DIP VOX 2 (CH 1) o VOX 3 (CH 2-5).

- Orden de prioridad:

- 1.- La entrada EMERGENCY IN tiene la máxima prioridad atenuando el resto de entradas cuando esta tenga señal. Esta prioridad es por nivel de señal y se puede seleccionar con el control VOX 1.
- 2.- La entrada REMOTE MUTE atenúa todas las entradas excepto la entrada EMERGENCY IN cuando se realiza un cierre/apertura de contactos de sus terminales, según esté configurado.
- 3.- La entrada ZONE MICROPHONE tiene prioridad sobre las entradas REMOTE WALL PANEL, CH 1, CH 2, CH 3, CH 4, CH 5, AUX y el reproductor.
- 4.- La entrada REMOTE WALL PANEL tiene prioridad sobre las entradas CH 1, CH 2, CH 3, CH 4, CH 5, AUX y el reproductor.
- 5.- La entrada CH 1 tiene prioridad sobre las entradas CH 2, CH 3, CH 4, CH 5, AUX y el reproductor. Esta prioridad es por nivel de señal y se puede seleccionar con el control VOX 2.
- 6.- Las entradas CH 2, CH 3, CH 4 y CH 5 tienen prioridad sobre las entradas AUX 1, AUX 2, AUX 3 y el reproductor y se puede seleccionar con el control VOX 3.
- 7.- Las entradas AUX 1, AUX 2, AUX 3 y el reproductor carecen de prioridad frente al resto de entradas.

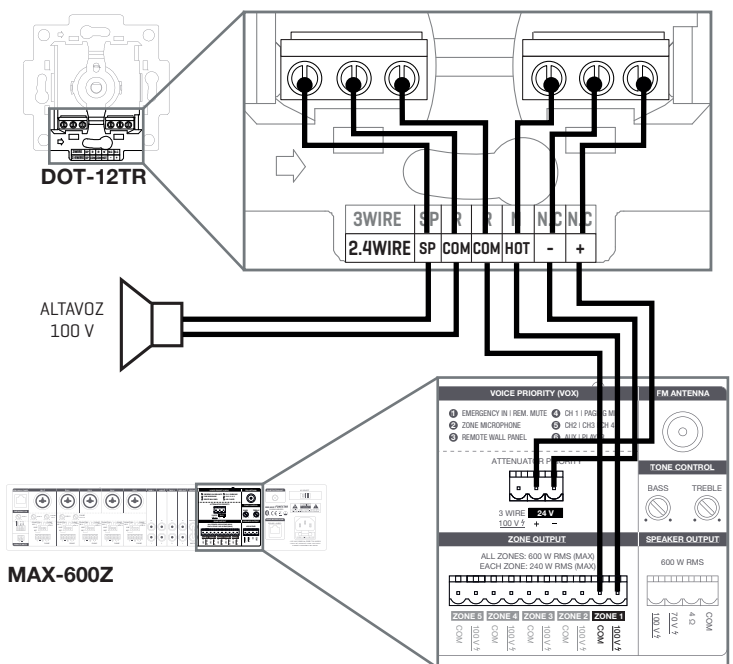
**PRIORIDAD 3er HILO**

Para la conexión con atenuadores por tres hilos como el **DOT-12TR**. Cuando exista señal en el PIN 3WIRE, que contiene la señal de audio 100 V, esta pasará directamente al altavoz sin ningún tipo de atenuación.



**PRIORIDAD 24 V**

Para la conexión con atenuadores por cuatro hilos como el **DOT-12TR**. Cuando el PIN 3WIRE proporcione una señal de 24 V CC, la señal del amplificador que pasaba por el atenuador pasará directamente al altavoz sin ningún tipo de atenuación.



## REPRODUCTOR (PLAYER)

Para utilizar el reproductor deberá activar esta entrada pulsando el botón PLAY y el indicador luminoso de este botón se encenderá. A continuación, seleccione el modo con el botón MODE:

### MODO BLUETOOTH®

- Seleccione el modo Bluetooth® en el amplificador para vincular el smartphone o tablet desde la que desee enviar audio. El indicador luminoso parpadeará indicando que está listo para vincularse.
- En su smartphone/tablet, active el modo Bluetooth®, busque el dispositivo **MAX-600Z** y selecciónelo. El indicador luminoso pasará a estar encendido de forma permanente indicando que está vinculado.
- Por último, seleccione la música en su smartphone/tablet e inicie la reproducción.
- Pulse **◀** y **▶** para cambiar de canción o **▶||** para reanudar/pausar la reproducción.

**NOTA:** asegúrese de que su smartphone/tablet tiene un volumen suficiente para poder ser escuchado a través del amplificador. De este modo, podrá controlar el volumen desde el propio amplificador con posterioridad sin tener que manipular ningún otro equipo.

### MODO RADIO FM

- Seleccione el modo FM.
- NOTA:** para utilizar este modo deberá conectar una antena en el panel posterior FM ANTENNA.
- Realice una sintonización automática de las emisoras para empezar a utilizar este modo realizando una pulsación larga del botón **▶||**.
  - Una vez haya terminado podrá seleccionar la emisora que desee escuchar entre las sintonizadas con **◀** y **▶**.

### MODO USB

- Seleccione el modo USB.
- Conecte el dispositivo USB.
- Pulse **◀** y **▶** para cambiar de canción o **▶||** para detener/reanudar la reproducción.
- Podrá cambiar el modo de reproducción entre repetir todo (1 tono) y reproducción aleatoria (2 tonos) realizando una pulsación larga del botón **▶||**.

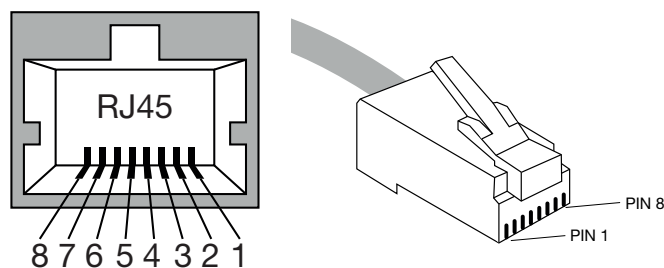
## ENTRADA MICRÓFONO DE ZONAS

Entrada para conectar micrófonos de zonas como el **ZONEMIC-6** que permite dar avisos a 1 o varias zonas. Estos avisos podrán ser mensajes en directo o grabados.

**NOTA:** es posible conectar hasta un total de 4 unidades de micrófonos **ZONEMIC-6** en cascada teniendo en cuenta que el cableado total no puede superar los 200 metros, desde el amplificador **MAX-600Z** hasta el último micrófono de la instalación.

El pinout del conector RJ45 hembra del amplificador **MAX-600Z** es:

CONECTOR HEMBRA	PINOUT T-568B	FUNCIÓN	
Pin 1	Blanco-Naranja	audio+	Señal de audio balanceada
Pin 2	Naranja	audio-	
Pin 3	Blanco-Verde	GND	
Pin 4	Azul	D+ (A)	Comunicación RS485
Pin 5	Blanco-Azul	D- (B)	
Pin 6	Verde	+15 V CC	Alimentación
Pin 7	Blanco-Marrón	GND	
Pin 8	Marrón	-15 V CC	

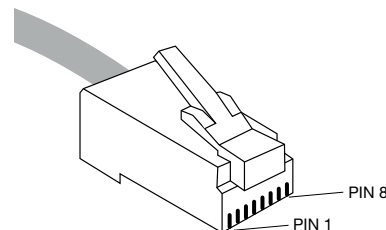
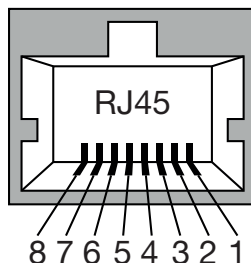


## ENTRADA PANEL DE PARED REMOTO

En una entrada de audio que proporciona alimentación 15 V CC. Normalmente para conectar un panel de conexión de pared remoto o la salida de un mezclador/reproductor. Debido a su prioridad, esta señal no se mezclará con el resto de señales de los CH 1-5 o AUX integradas en el amplificador.

El pinout del conector RJ45 hembra del amplificador **MAX-600Z** es:

CONECTOR HEMBRA	PINOUT T-568B	FUNCIÓN	
Pin 1	Blanco-Naranja	audio +	Canal L balanceado
Pin 2	Naranja	audio -	
Pin 3	Blanco-Verde	GND	
Pin 4	Azul	audio +	Canal R balanceado
Pin 5	Blanco-Azul	audio -	
Pin 6	Verde	GND	
Pin 7	Blanco-Marrón	+15 V CC	Alimentación
Pin 8	Marrón	GND	



## CONEXIÓN

**IMPORTANTE:** refrigere la etapa correctamente. Para ello, asegúrese que el lugar donde está instalado tiene acceso a un flujo de aire y que las ranuras del chasis están libres de obstáculos.

- Con el amplificador apagado conecte todas las fuentes de audio CH, AUX y EMERGENCY IN y seleccione el tipo de entrada LINE/MIC y active/desactive alimentación PHANTOM en los canales CH 1 a CH 5 mediante los microinterruptores DIP de cada canal de entrada.

(OPCIONAL) Conecte el micrófono de zonas y panel de pared/mural.

Si va a hacer uso de la radio se recomienda conectar una antena de recepción FM.

- Conecte los altavoces a la salida correspondiente de baja impedancia\* (4  $\Omega$  + COM), línea de 100 V\* (100 V + COM), línea 70 V\* (70 V + COM), zonas\* (ZONE 1-5) o a la salida de grabación estéreo (REC OUT).

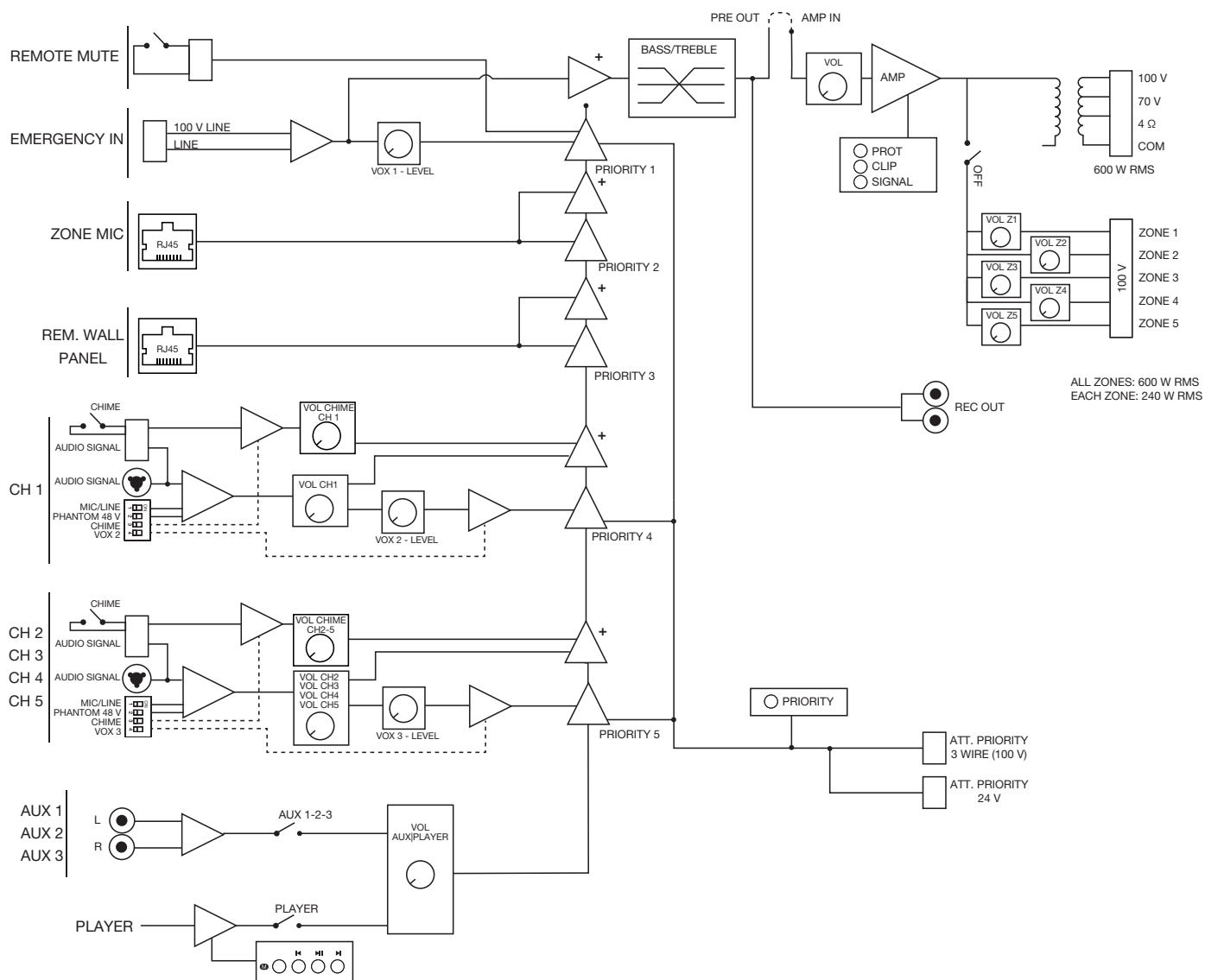
**\*IMPORTANTE:** para un correcto funcionamiento y aprovechamiento de las prestaciones del equipo utilice la potencia, impedancia y límites de frecuencia adecuados. Antes de proceder a la conexión con otros equipos tenga en cuenta las condiciones necesarias en una instalación de ALTA IMPEDANCIA (100 V) y BAJA IMPEDANCIA. Puede encontrar más información en:

[fonestar.com/downloads/install\\_fonestar\\_es.pdf](http://fonestar.com/downloads/install_fonestar_es.pdf)

- Revise que los controles de volumen están al mínimo y conecte el amplificador a la alimentación.
- Encienda el amplificador y active la entrada AUX o PLAY y salidas (si utiliza la salida de zonas ZONES) que desee utilizar mediante los botones del panel frontal del amplificador.
- Revise los controles de volumen de las entradas, salidas y el volumen general.
- PRIORIDAD: habilite la prioridad en las entradas que desee mediante los microinterruptores DIP y regule la sensibilidad mediante los controles VOX de las entradas.
- Por último, regule la ecualización con los controles BASS y TREBLE del panel posterior.



# DIAGRAMA DE BLOQUES



**DECLARACIÓN UE DE CONFORMIDAD SIMPLIFICADA**  
 Por la presente, FONESTAR SISTEMAS S.A. declara que el amplificador de megafonía BLUETOOTH/USB/FM y zonas MAX-600Z es conforme con la Directiva 2014/53/UE.  
 El texto completo de la declaración UE de conformidad está disponible en la dirección internet siguiente: [fonestar.com/MAX-600Z](http://fonestar.com/MAX-600Z)

## ESPECIFICACIONES TÉCNICAS

	<b>MAX-600Z</b>
<b>CARACTERÍSTICAS</b>	Amplificador de megafonía Class D y fuente de alimentación conmutada SMPS. Reproductor Bluetooth/USB/FM. Entrada de micrófono de zonas ZONEMIC-6. Entrada para panel remoto de pared. Entradas de micrófono con control de mezcla, ganancia y nivel de prioridad. Generador de tonos de llamada (Chime). 3 entradas auxiliares. Entrada de Emergencia y mute para conexión a sistemas de alarma y evacuación. Prioridad de atenuadores 24 V. Salida de 3º hilo (100 V) con prioridad para atenuadores. Controles de tono. Salidas de 100 V, 70 V y 4 Ω. 5 zonas de salida con control de volumen y Off.
<b>POTENCIA</b>	600 W RMS
<b>RESPUESTA</b>	45-22.000 Hz (-10 dB)

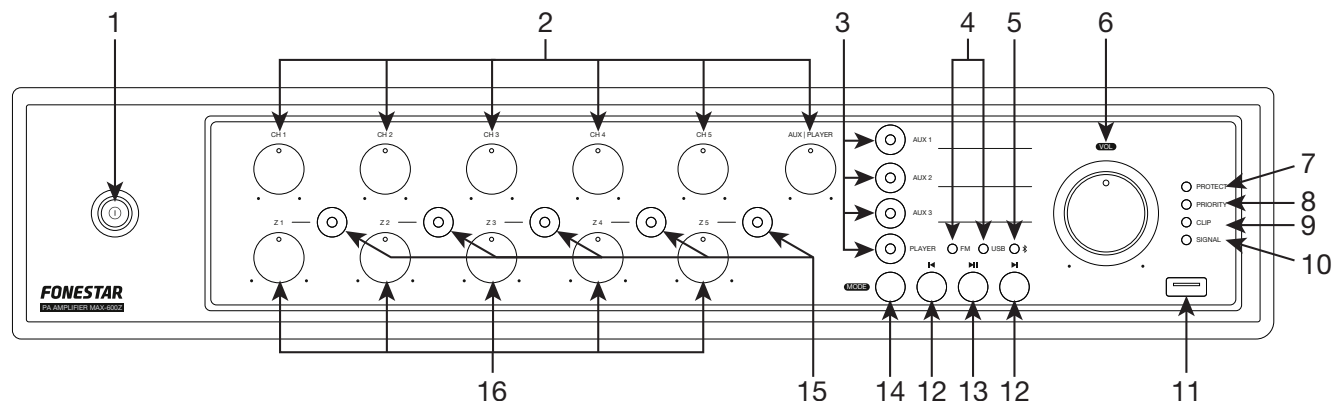
<b>DISTORSIÓN</b>	THD+N: <0'5% a 1 kHz
<b>RELACIÓN SEÑAL/RUIDO</b>	Mic >73 dB, Line >80 dB, Aux >84 dB
<b>PROTECCIONES</b>	Encendido suave, sobrecorriente, sobrecarga, temperatura y cortocircuito
<b>ENTRADAS</b>	Micrófono de zonas ZONEMIC-6, RJ45, hasta 200 m de longitud de cable Panel remoto de pared, RJ45, 2 x 250 mV RMS (-12 dBV) CH 1, 2, 3, 4 y 5 micro/línea balanceada con Phantom 48V. Conector Combo (XLR + 6'3mm) y euroblock. Tonos de llamada por cierre de contactos Nivel de señal de micro: 5'2 mV RMS (-45 dBV) / 600 Ω Nivel de señal de línea: 220 mV RMS (-13 dBV) / 100k Ω 3 AUX. Conector 2 x RCA. Nivel de señal 270 mV RMS (-11 dBV) / 47.000 Ω. 1 emergencia. Conector euroblock. Nivel de señal: línea 326 mV RMS (-10 dBV) o línea 100 V Mute (Prioridad Emergencia) por cierre de contactos. Conector euroblock 1 Amp-in. Conector RCA. Nivel de señal 1'2 V RMS (+ 1'5 dBV)
<b>SALIDAS</b>	1 REC. Conector 2 x RCA. Nivel de señal 316 mV RMS (-10 dBV). Pre-master. 1 Pre-out. Conector RCA. Nivel de señal 1'2 V RMS (+1'5 dBV) Salida de altavoces de 100 V, 70 V o 4 Ω, o 5 zonas de altavoces 100 V con selector de volumen 7 posiciones y OFF (Máximo 240 W por zona). Conector euroblock 1 Prioridad de atenuadores, 24 V 100 mA y cierre de contactos. Conector euroblock 1 3º hilo de prioridad para atenuadores (100 V)
<b>FUNCIONES</b>	Prioridad de entradas (por orden de atenuación): · Entrada de Emergencia 100V con nivel de señal seleccionable (VOX) · Mute por cierre de contactos · Micrófono de zonas ZONEMIC-6 · Panel de pared remoto · Canal 1 con nivel de señal seleccionable (VOX) · Canales 2   3   4   5 con nivel de señal seleccionable compartido CH 2-3-4-5 (VOX) · Entradas Auxiliares   Reproductor Anillo luminoso de encendido en control de volumen, indicadores de entrada AUX, zonas y reproductor. Indicadores luminosos de encendido, señal, clip, activación de prioridad y protección Refrigeración por inducción, sin ventilador. Silenciosa y libre de mantenimiento
<b>CONTOLES</b>	Volumen de micrófonos Volumen master Selector de entradas auxiliares o reproductor Zonas con encendido y 7 posiciones de volumen Tono: graves y agudos (+/- 10 dB 100 Hz y 10k Hz) Selector de mic/line/phantom, tonos de llamadas y prioridad Nivel de tono de llamada (chime) Nivel de señal de activación de prioridades (VOX)
<b>REPRODUCTOR</b>	Reproductor Bluetooth/USB/FM para reproducción de música ambiente Bluetooth 5.3 Autoplay, comienza la reproducción automáticamente al encender Memoria del último modo seleccionado Memoria del modo de reproducción (random, repeat)
<b>IMPEDANCIA</b>	4 Ω, línea 100 V (16'7 Ω) y 70 V (8'17 Ω), euroblock
<b>TEMPERATURA</b>	Funcionamiento: -10° ~ 40°C Almacenamiento: -20° ~ 60°C
<b>HUMEDAD MÁXIMA</b>	90%
<b>ALIMENTACIÓN</b>	230/115 V CA 50-60Hz Consumo de potencia: 750 W Fusible CA 230 V 8 A / 115 V 16 A
<b>MEDIDAS</b>	430 x 89 x 320 mm fondo. 2 U rack 19"
<b>INCLUYE</b>	Antena FM Antena Bluetooth Cable de alimentación Soportes para rack
<b>OPCIONAL</b>	ZONEMIC-6: Micrófono de zonas

## DESCRIPTION

- Amplificateur de classe D très efficace et fiable avec reproducteur Bluetooth®/USB et radio FM intégrés.
- 5 canaux d'entrée, 3 entrées auxiliaires et 5 zones de sortie avec commandes de volume indépendantes.
- Entrées avec commande de priorité VOX réglable.

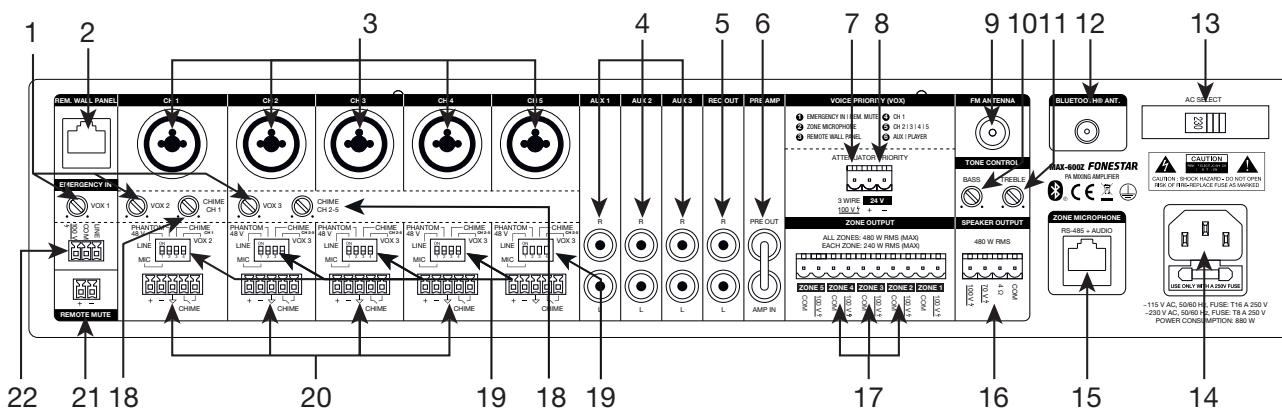
## CONTRÔLES ET FONCTIONS

### PANNEAU AVANT



- 1.- **⓪** : témoin lumineux et l'interrupteur marche/arrêt de l'amplificateur.
- 2.- **CH 1/CH 2/CH 3/CH 4/CH 5/AUX|PLAYER** : commandes de volume pour les entrées CH 1, CH 2, CH 3, CH 4 et CH 5 respectivement et AUX|PLAYER pour AUX 1-3 et le reproducteur.
- 3.- **AUX 1/AUX 2/AUX 3/PLAYER** : voyants et boutons pour activer l'entrée AUX 1, AUX 2, AUX 3 ou le reproducteur intégré (Bluetooth®, radio FM, USB).
- 4.- **FM/USB** : témoins lumineux du mode actif sur le lecteur.
- 5.- **ⓧ** : témoin de fonctionnement du récepteur Bluetooth®. S'il n'y a pas d'appareil apparié, il clignote et reste fixe lorsqu'un appareil apparié est présent et prêt à envoyer de l'audio.
- 6.- **VOL** : contrôle du volume général de l'amplificateur et témoin de marche/arrêt de l'amplificateur.
- 7.- **PROTECT** : témoin lumineux de protection. Il s'allume lorsque la protection de la température de l'amplificateur est activée. Lorsque la protection est activée, la sortie audio est coupée. Si cela se produit, éteignez l'appareil, assurez-vous que les fentes d'entrée et sortie d'air ne sont pas obstruées et baissez le volume des entrées. Attendez quelques minutes pour que l'appareil se stabilise avant de le rallumer.
- 8.- **PRIORITY** : pour signaler l'existence d'un signal de priorité VOX.
- 9.- **CLIP** : témoin lumineux de pic de signal. S'il est allumé légèrement ou occasionnellement, vous devez réduire le volume de sortie. Si le témoin reste allumé en permanence, le signal d'entrée est trop élevé. Dans ce cas, réduisez le volume du signal d'entrée qui en est à l'origine.
- 10.- **SIGNAL** : témoin lumineux qui indique la présence de signal. S'allume lorsque le signal de sortie est détecté.
- 11.- Port USB pour la lecture de fichiers audio.
- 12.- **◀/▶** : une pression courte, en mode Bluetooth® o USB, permet de passer à la piste audio précédente/suivante ; en mode FM, permet de passer à la fréquence mémorisée précédente/suivante. Dans tous les modes, une pression longue diminue/augmente le volume du reproducteur.
- 13.- **▶||** : en mode Bluetooth®, une pression courte permet de démarrer/arrêter la lecture audio et une pression longue permet de désappairer l'appareil connecté et d'attendre d'être à nouveau apparié. En mode USB, une pression courte démarre/arrête la reproduction audio et une pression longue change le mode de reproduction entre : répétition de tout (1 Ton) et la reproduction aléatoire (2 Ton). En mode FM, une pression longue lance le stockage automatique de toutes les fréquences qui sont détectées avec une qualité de signal suffisante.
- 14.- **MODE** : de courtes pressions sur ce bouton vous permettent de changer le mode du lecteur pour choisir la source audio désirée : Bluetooth®, USB ou radio FM.
- 15.- **Z1/Z2/Z3/Z4/Z5** : et les boutons pour activer/désactiver les zones de sortie ZONE 1, ZONE 2, ZONE 3, ZONE 4 et ZONE 5 respectivement.
- 16.- **Z1/Z2/Z3/Z4/Z5** : Commandes de volume des zones de sortie ZONE 1, ZONE 2, ZONE 3, ZONE 4 et ZONE 5 sur le panneau arrière.

## PANNEAU ARRIÈRE

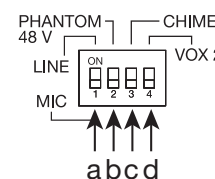


- 1.- **VOX 1/VOX 2/VOX 3** : pour le réglage de la sensibilité afin de donner la priorité aux entrées EMERGENCY IN, CH 1 et CH 2-5 respectivement par rapport aux autres signaux. En fonction de ce paramètre, le niveau de signal requis aux entrées pour couper le son des autres sources moins prioritaires sera plus ou moins élevé. Veuillez noter l'ordre de priorité des entrées de l'amplificateur, pour plus d'informations se référer à la section FONCTIONNEMENT - PRIORITÉ DES ENTREES.
- 2.- **REM. WALL PANEL** : port de connexion pour panneau mural distant, connecteur RJ45. Pour plus d'informations, voir la section FONCTIONNEMENT - ENTRÉE DE PANNEAU MURAL DISTANT.
- 3.- **CH 1, CH 2, CH 3, CH 4, CH 5** : entrées audio VOX, connecteurs combo symétriques (XLR et jack 6'3 mm) et euroblock (20). En outre, ces entrées disposent d'un interrupteur DIP (19) permettant de régler la sensibilité de l'entrée MIC/LINE, d'activer l'alimentation fantôme et d'activer/désactiver la priorité VOX (VOX 2 pour CH 1 et VOX 3 pour CH 2, CH 3, CH 4 et CH 5) et la priorité CHIME (CHIME CH 1 pour CH1 et CHIME CH 2-5 pour CH 2, CH 3, CH 4 et CH 5).
- 4.- **AUX 1/AUX 2/AUX 3** : entrées auxiliaires stéréo pour la connexion d'appareils audio tels que des consoles de mixage, des ordinateurs, etc. 2 x connecteurs RCA.
- 5.- **REC OUT** : sortie d'enregistrement stéréo avec niveau de ligne, 2 x connecteurs RCA.
- 6.- **PRE OUT/AMP IN** : sortie du signal stéréo de l'étape préamplificateur (PRE OUT) et entrée stéréo de l'étape amplificateur (AMP IN), connecteurs RCA. Ces entrées et sorties disposent d'un cavalier pour connecter ces 2 étages afin que l'équipement fonctionne comme un tout. Si vous souhaitez utiliser uniquement l'étape de préamplification, retirez le cavalier et connectez votre amplificateur à la sortie PRE OUT ; ou si vous souhaitez utiliser l'étape d'amplification, retirez le cavalier et connectez la sortie de votre mixeur/préampli à l'entrée AMP IN.
- 7.- **ATTENUATOR PRIORITY - 3 WIRE** : sortie audio 100 V pour la priorité des messages sur les atténuateurs du troisième fil (atténuateurs 3 fils). Pour plus d'informations, voir la section FONCTIONNEMENT - PRIORITÉ 3ème THREAT.
- 8.- **ATTENUATOR PRIORITY - 24 V** : sortie 24 V pour la priorité des messages sur les gradateurs avec relais de priorité (gradateurs à 4 fils). Cette sortie est à 0 V si aucune priorité n'est activée et fournit 24 V lorsque la priorité est activée. Pour plus d'informations, voir la section FONCTIONNEMENT - PRIORITÉ 24 V.
- 9.- **FM ANTENNE** : entrée pour la connexion d'une antenne pour FM.
- 10.- **TONE CONTROL - BASS** : filtre passe-bas avec une fréquence de coupure de 100 Hz qui atténue/améliore les basses fréquences.
- 11.- **TONE CONTROL - TREBLE** : filtre passe-haut avec une fréquence de coupure de 10 kHz qui atténue/renforce les hautes fréquences.
- 12.- **BLUETOOTH® ANT** : antenne du signal Bluetooth®.
- 13.- **AC SELECT** : sélecteur de tension d'alimentation. Si vous devez changer la tension, veuillez noter que le fusible doit être changé comme indiqué sur le produit.
- 14.- Entrée de l'alimentation de l'amplificateur 115/230 V.
- 15.- **ZONE MICROPHONE** : port pour la connexion du microphone de zone, connecteur RJ45. Pour plus d'informations, voir la section FONCTIONNEMENT - ENTRÉE MICROPHONE DE ZONE.

- 16.- **SORTIE HAUT-PARLEUR** : sortie haut-parleur 4  $\Omega$  basse impédance, 100 V ligne et 70 V ligne, 600 W RMS, connecteur euroblock. Veuillez noter que le choix des haut-parleurs doit être adapté aux spécifications de l'amplificateur afin de les connecter en série ou en parallèle (uniquement en parallèle pour une ligne 100 V) et d'obtenir une puissance et une impédance appropriées à la sortie de l'amplificateur.
- 17.- **ZONE OUTPUT** : sorties de haut-parleurs de ligne de 100 V, connecteur euroblock. Chaque zone est limitée à un maximum de 240 W RMS et la somme des 5 zones ne peut dépasser 600 W RMS fournie par l'amplificateur. Veuillez noter que le choix des enceintes doit être adapté aux spécifications de l'amplificateur afin de les connecter en parallèle et d'obtenir une puissance et une impédance appropriées à la sortie de l'amplificateur.
- 18.- **CHIME CH 1, CHIME CH 2-5** : commandes de volume du ton CHIME. CHIME CH 1 pour CH 1 et CHIME CH 2-5 pour CH 2, CH 3, CH 4 et CH 5.

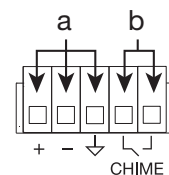
19.- Sélecteurs DIP :

- a.- **LINE/MIC** : change la sensibilité de l'entrée du microphone (MIC) ou de l'entrée du lecteur/table de mixage (LINE).
- b.- **PHANTOM 48 V** : active/désactive l'alimentation PHANTOM 48 V sur les connecteurs de cette entrée, qui est nécessaire pour les microphones à condensateur.
- c.- **CHIME** : active/désactive la fonction permettant de générer une tonalité CHIME lorsqu'une fermeture de contact est effectuée sur l'entrée CHIME correspondante.
- d.- **VOX 1-3** : active/désactive la priorité de cette entrée.



20.- Connecteur euroblock :

- a.- **+, -,  $\downarrow$**  : bornes d'entrée pour la connexion du signal d'entrée équilibré. CH 1 dispose d'un autre connecteur combiné pour connecter le signal d'entrée, CH 2, CH 3, CH 4 et CH 5 disposent uniquement de ce connecteur euroblock pour connecter le signal d'entrée. De plus, ces entrées disposent de commutateurs DIP (19) pour régler la sensibilité de l'entrée MIC/LINE, activer l'alimentation phantom et activer/désactiver la priorité VOX et CHIME.
- b.- **CHIME**: fermeture de contact pour déclencher une tonalité CHIME.



- 21.- **REMOTE MUTE** : permet de couper à distance toutes les entrées de l'amplificateur, sauf EMERGENCY IN, à l'aide d'un interrupteur. Connecteur euroblock. Cette entrée est en circuit ouvert, pour la mettre en sourdine vous devez fermer le circuit.
- 22.- **EMERGENCY IN** : entrée audio de niveau de ligne ou 100 V pour connecter un système d'urgence, euroblock. S'il s'agit d'un signal de ligne, utilisez LINE et COM, s'il s'agit de 100 V, utilisez 100 V et COM.

**N.B.** : l'entrée de EMERGENCY IN de 100 V l'entrée 100 V EMERGENCY IN ne prend en charge que les signaux 100 V et COM. La sortie 100 V de certains amplificateurs de classe D délivre -50 V et +50 V (BTL) au lieu de 100 V et COM. Ces sorties 100 V (+50 V, -50 V) ne sont pas compatibles avec cette entrée car le port de masse recevra un signal -50 V qui pourrait amener l'amplificateur fournissant la sortie à détecter un défaut et à activer son mécanisme de protection.

## FONCTIONNEMENT

### PRIORITÉ DES ENTRÉES

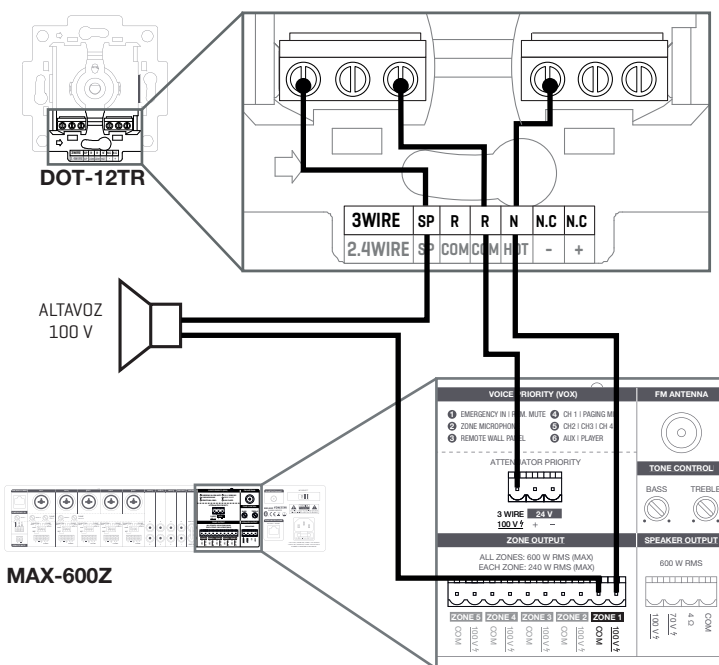
- La priorité VOX des différentes entrées est activée par le niveau du signal et peut être réglée avec les commandes VOX du panneau arrière.
- La priorité des canaux 1-5 peut être désactivée à l'aide du commutateur DIP VOX 2 (CH 1) ou VOX 3 (CH 2-5).

- Ordre de priorité :

- 1.- L'entrée EMERGENCY IN a la priorité la plus élevée et atténue toutes les autres entrées lorsqu'un signal est présent. Cette priorité est basée sur le niveau du signal et peut être sélectionnée à l'aide du contrôle VOX 1
- 2.- L'entrée REMOTE MUTE atténue toutes les entrées sauf l'entrée EMERGENCY IN lorsqu'une fermeture/ouverture de contact se produit sur ses bornes, selon la configuration.
- 3.- L'entrée ZONE MICROPHONE a priorité sur les entrées REMOTE WALL PANEL, CH 1, CH 2, CH 3, CH 4, CH 5, AUX et le lecteur.
- 4.- L'entrée REMOTE WALL PANEL a priorité sur les entrées CH 1, CH 2, CH 3, CH 4, CH 5, AUX et le lecteur..
- 5.- L'entrée CH 1 a priorité sur les entrées CH 2, CH 3, CH 4, CH 5, AUX et le lecteur. Cette priorité est basée sur le niveau du signal et peut être sélectionnée à l'aide du contrôle VOX 2.
- 6.- Les entrées CH 2, CH 3, CH 4 et CH 5 ont priorité sur AUX 1, AUX 2, AUX 3 et le lecteur, et peuvent être sélectionnées à l'aide du contrôle VOX 3.
- 7.- Les entrées AUX 1, AUX 2, AUX 3 et le lecteur n'ont aucune priorité par rapport aux autres entrées.

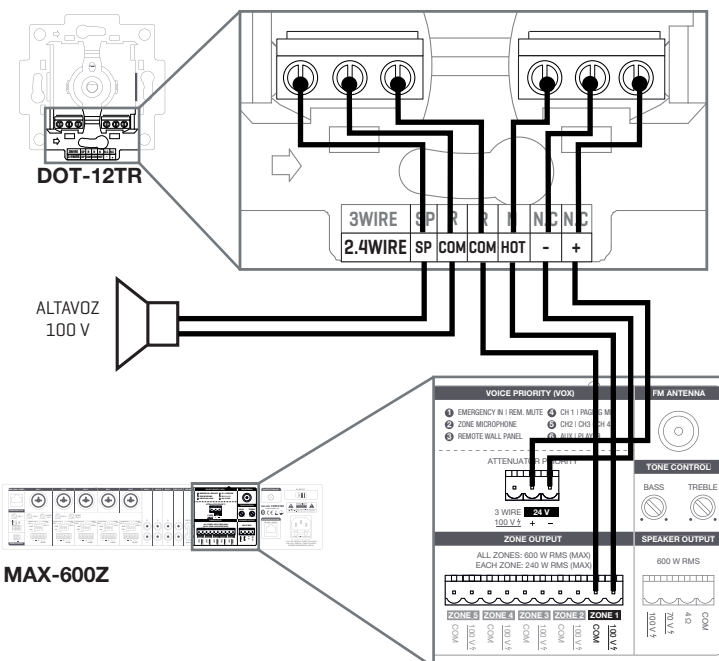
### PRIORITÉ 3ème THREAD

Pour la connexion à des atténuateurs à trois fils tels que le **DOT-12TR**. Lorsqu'un signal est présent à la broche 3WIRE, qui contient le signal audio de 100 V, il est transmis directement au haut-parleur sans aucune atténuation.



### PRIORITÉ 24 V

Pour la connexion à des atténuateurs à quatre fils tels que le **DOT-12TR**. Cuando el PIN 3WIRE prporcione una señal de 24 V CC, la señal del amplificador que pasaba por el atenuador pasará directamente al altavoz sin ningún tipo de atenuación.



## REPRODUCTEUR (PLAYER)

Pour utiliser le reproducteur, vous devez activer cette entrée en appuyant sur la touche PLAY et le témoin lumineux de cette touche s'allumera. Ensuite, sélectionnez le mode avec le bouton MODE :

### MODE BLUETOOTH®

- Sélectionnez le mode Bluetooth® sur l'amplificateur pour coupler le smartphone ou la tablette à partir duquel vous souhaitez envoyer de l'audio. Le témoin lumineux clignote pour indiquer qu'il est prêt à être connecté.
- Sur votre smartphone/tablette, activez le mode Bluetooth®, recherchez l'appareil **MAX-600Z** et sélectionnez-le. L'indicateur lumineux s'allume en permanence pour indiquer qu'il est relié.
- Enfin, sélectionnez la musique sur votre smartphone/tablette et lancez la reproduction.
- Appuyez sur **◀** et **▶** pour changer de chanson ou **▶||** pour reprendre/pause la lecture.

**N.B.** : assurez-vous que votre smartphone/tablette est suffisamment fort pour être entendu par l'amplificateur. De cette façon, vous pouvez contrôler ultérieurement le volume à partir de l'amplificateur lui-même, sans avoir à manipuler d'autres équipements.

### MODE RADIO FM

- Sélectionnez le mode FM.
- N.B.** : pour utiliser ce mode, une antenne doit être connectée au panneau arrière FM ANTENNE.
- Effectuez un réglage automatique des stations pour commencer à utiliser ce mode avec une pression longue sur le bouton **▶||**.
- Une fois que vous avez terminé, vous pouvez sélectionner la station que vous voulez écouter parmi celles déjà syntonisées avec **◀** et **▶**.

### MODE USB

- Sélectionnez le mode USB.
- Connectez le dispositif USB.
- Appuyez sur **◀** et **▶** pour changer al chanson ou **▶||** pour arrêter/reprendre la lecture.
- Vous pouvez commuter le mode de lecture entre la répétition de tous (1 Ton) et la reproduction aléatoire (2 Ton) en appuyant longuement sur le bouton. **▶||**.

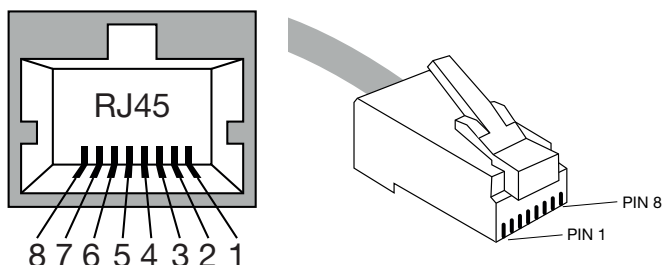
## ENTRÉE MICROPHONE DE ZONE

Entrée pour la connexion de microphones de zone tels que le **ZONEMIC-6** qui peut être utilisé pour annoncer 1 ou plusieurs zones. Ces annonces peuvent être des messages en direct ou enregistrés.

**N.B.** : il est possible de connecter jusqu'à 4 unités de microphones **ZONEMIC-6** en cascade, en tenant compte du fait que le câblage total ne doit pas dépasser 200 mètres, depuis l'amplificateur **MAX-600Z** jusqu'au dernier microphone de l'installation.

Le brochage du connecteur RJ45 femelle de l'amplificateur **MAX-600Z** est :

CONNECTEUR FEMELLE	PINOUT T-568B	FONCTION	
Pin 1	Blanc-orange	audio+	Signal audio équilibré
Pin 2	Orange	audio-	
Pin 3	Blanc-Vert	GND	
Pin 4	Bleu	D+ (A)	Communication RS485
Pin 5	Blanc-Bleu	D- (B)	
Pin 6	Vert	+15 V CC	Alimentation
Pin 7	Blanc-Marron	GND	
Pin 8	Marron	-15 V CC	

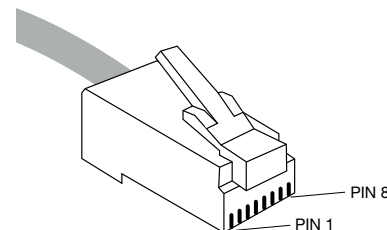
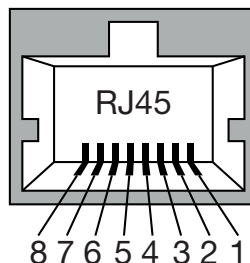


## ENTRÉE DU PANNEAU MURAL DISTANT

Sur une entrée audio fournissant une alimentation de 15 V CC. Normalement pour connecter un panneau de connexion mural à distance ou la sortie d'un mixeur/reproducteur. En raison de sa priorité, ce signal ne sera pas mélangé avec les autres signaux de CH 1-5 ou AUX intégrés dans l'amplificateur.

Le brochage du connecteur RJ45 femelle de l'amplificateur **MAX-600Z** est :

CONNECTEUR FEMELLE	PINOUT T-568B	FONCTION	
Pin 1	Blanc-orange	audio+	Canal L équilibré
Pin 2	Orange	audio -	
Pin 3	Blanc-Vert	GND	
Pin 4	Bleu	audio+	Canal R équilibré
Pin 5	Blanc-Bleu	audio -	
Pin 6	Vert	GND	
Pin 7	Blanc-Marron	+15 V CC	Alimentation
Pin 8	Marron	GND	



## CONNEXION

**IMPORTANT** : refroidir correctement la scène. Pour ce faire, assurez-vous que le site d'installation dispose d'un accès au flux d'air et que les fentes du châssis sont libres de toute obstruction.

- Avec l'amplificateur éteint, connectez toutes les sources audio CH, AUX et EMERGENCY IN et sélectionnez le type d'entrée LINE/MIC et activez/désactivez la puissance PHANTOM sur les canaux CH 1 à CH 5 via les commutateurs DIP de chaque canal d'entrée.

(OPTIONNEL) Connecter le microphone de zone et le panneau mural.

Si vous comptez utiliser la radio, il est recommandé de connecter une antenne de réception FM.

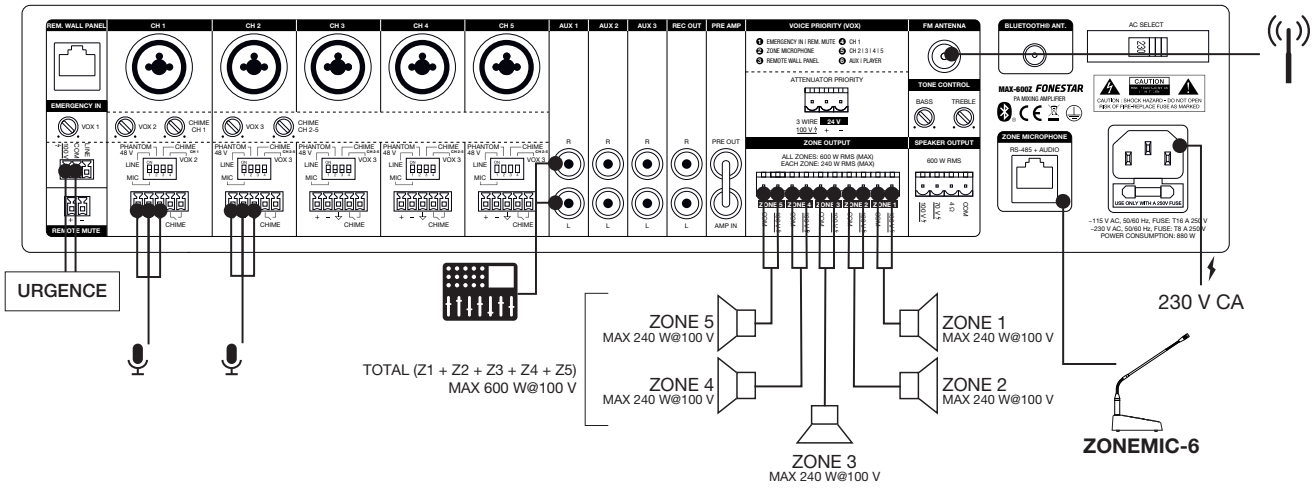
- Connectez les enceintes à la sortie basse impédance\* (4  $\Omega$  + COM), ligne 100 V\* (100 V + COM), ligne 70 V\* (70 V + COM), zones\* (ZONE 1-5) ou à la sortie d'enregistrement stéréo (REC OUT).

\* **IMPORTANT** : pour le bon fonctionnement et les performances de l'équipement, utilisez les limites de puissance, d'impédance et de fréquence appropriées. Avant de raccorder d'autres équipements, veuillez noter les conditions requises pour une installation à HAUTE IMPÉDANCE (100 V) et BASSE IMPÉDANCE. Pour plus d'information :

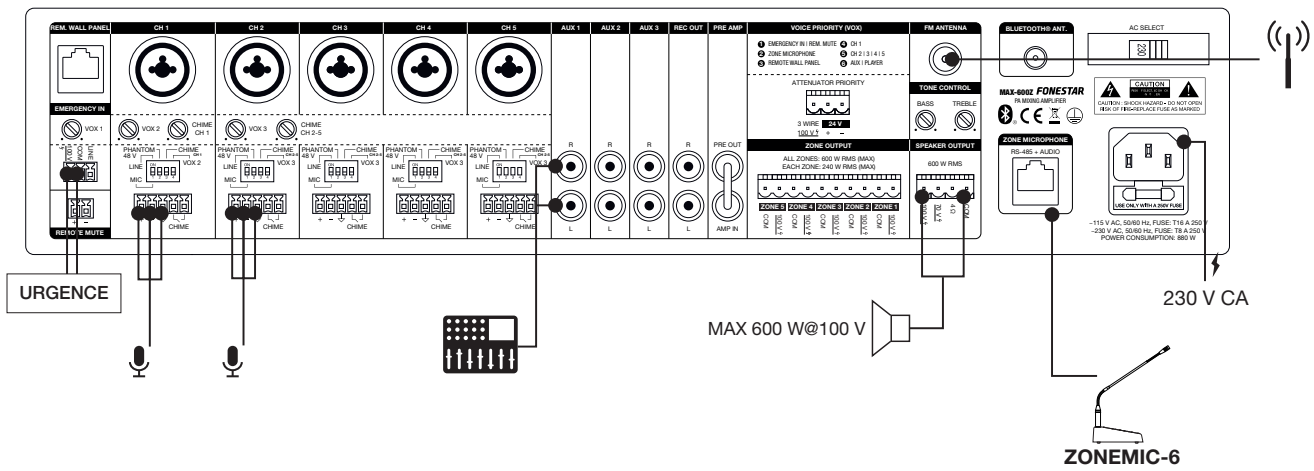
[fonestar.com/downloads/install\\_fonestar\\_fr.pdf](http://fonestar.com/downloads/install_fonestar_fr.pdf)

- Vérifiez que les commandes de volume et de gain sont réglées au minimum connectez l'amplificateur à l'alimentation électrique.
- Allumez l'amplificateur et activez l'entrée et les sorties AUX ou PLAY et les sorties (si vous utilisez la sortie ZONES) que vous souhaitez utiliser à l'aide des boutons situés sur le panneau avant de l'amplificateur.
- Vérifiez les commandes de volume pour les entrées, les sorties et le volume général.
- **PRIORITÉ** : activez la priorité sur les entrées souhaitées à l'aide des commutateurs DIP et ajustez la sensibilité à l'aide des commandes VOX sur les entrées.
- Enfin, réglez l'égalisation avec les commandes BASS et TREBLE sur le panneau arrière.

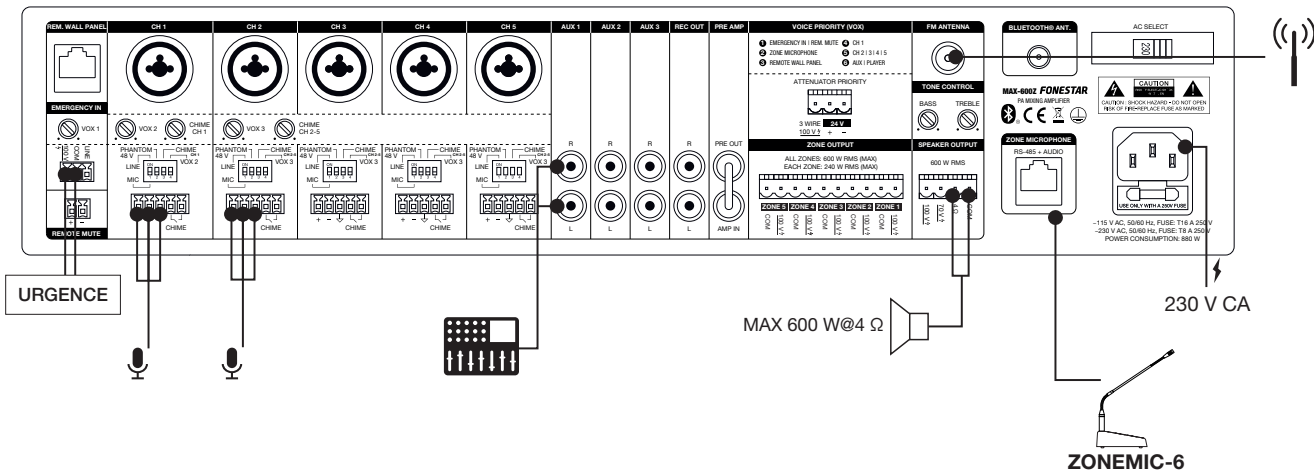
### 5 ZONES - LIGNE 100 V



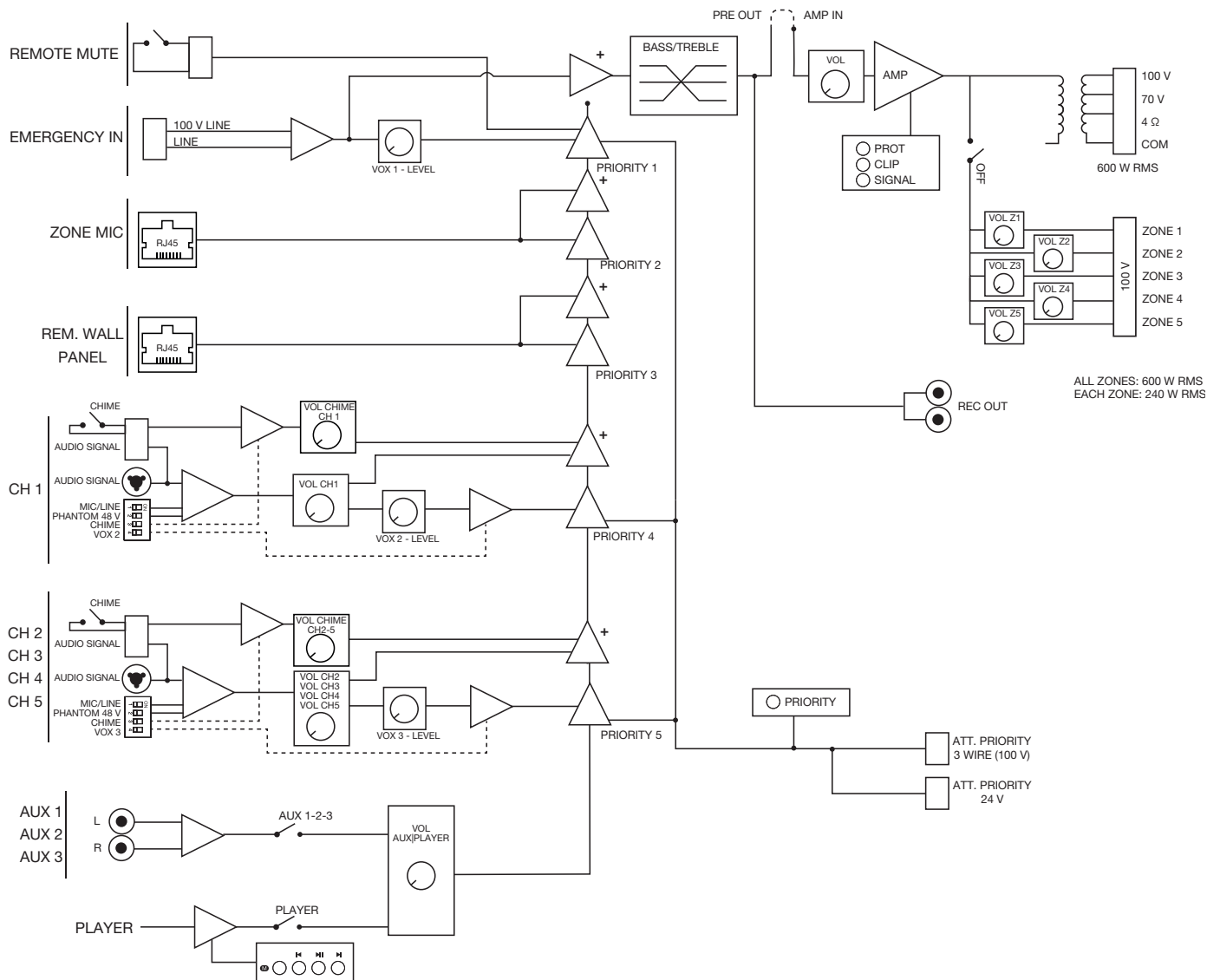
### LIGNE 100 V



### BASSE IMPÉDANCE



# DIAGRAMME FONCTIONNEL



## DÉCLARATION UE DE CONFORMITÉ SIMPLIFIÉE

FONESTAR SISTEMAS S.A. déclare par la présente que l'amplificateur public address BLUETOOTH/USB/FM et zones MAX-600Z est conforme à la Directive 2014/53/UE.

Le texte intégral de la déclaration de conformité de l'UE peut être consulté sur le site web suivant : [fonestar.com/MAX-600Z](http://fonestar.com/MAX-600Z)

## SPÉCIFICATIONS TECHNIQUES

	MAX-600Z
<b>CARACTÉRISTIQUES</b>	<p>Amplificateur PA de classe D et alimentation à découpage SMPS.            Reproducteur Bluetooth®/USB/FM. Bluetooth® 5.3            ZONEMIC-6 entrée microphone de zone.            Entrée pour le panneau mural à distance.            Entrées de microphone avec contrôle du mixage, du gain et du niveau de priorité.            Générateur de sonneries d'appel (Chime).            3 entrées auxiliaires.            Entrée d'urgence et mute pour la connexion aux systèmes d'alarme et d'évacuation.            Priorité à l'atténuateur 24 V.            Sortie 3ème fil (100 V) avec priorité aux atténuateurs.            Contrôles de tonalité.            Sorties 100 V, 70 V et 4 Ω.            5 zones de sortie avec contrôle du volume et arrêt.</p>

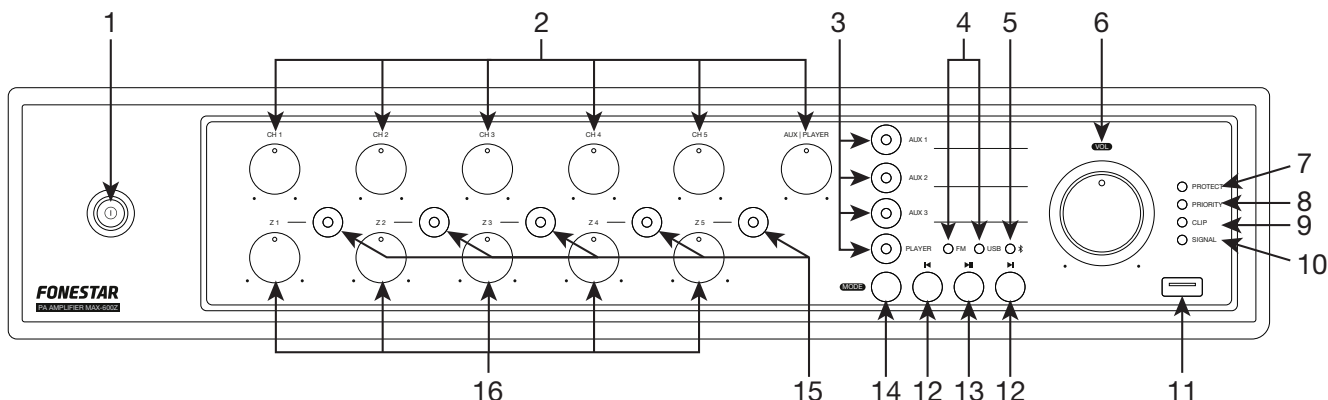
<b>PUISSANCE</b>	600 W RMS
<b>RÉPONSE</b>	45-22.000 Hz (-10 dB)
<b>DISTORSION</b>	THD+N : <0'5% à 1 kHz
<b>RAPPORT SIGNAL/BRUIT</b>	Mic >75 dB, Line >83 dB, Aux >81 dB
<b>PROTECTIONS</b>	Démarrage progressif, surintensité, surcharge, température et court-circuit
<b>ENTRÉES</b>	Microphone de zones ZONEMIC-6, RJ45, jusqu'à 200 m de longueur de câble. Panneau mural déporté, RJ45, 2 × 250 mV RMS (-12 dBV). CH 1, 2, 3, 4 et 5 micro/ligne symétriques avec alimentation Phantom 48 V. Connecteur Combo (XLR + 6,3 mm) et euroblock. Carillon par fermeture de contact. Niveau de signal micro : 5,2 mV RMS (-45 dBV) / 600 Ω. Niveau de signal ligne : 220 mV RMS (-13 dBV) / 100 kΩ. 3 AUX. Connecteur 2 × RCA. Niveau de signal 270 mV RMS (-11 dBV) / 47 000 Ω. 1 entrée d'urgence. Connecteur euroblock. Niveau de signal : ligne 326 mV RMS (-10 dBV) ou ligne 100 V. Mute (priorité d'urgence) par fermeture de contact. Connecteur euroblock. 1 Amp-in. Connecteur RCA. Niveau de signal 1,2 V RMS (+1,5 dBV).
<b>SORTIES</b>	1 REC. Connecteur 2 × RCA. Niveau de signal 316 mV RMS (-10 dBV). Pre-master. 1 Pre-out. Connecteur RCA. Niveau de signal 1,2 V RMS (+1,5 dBV). Sortie haut-parleurs 100 V, 70 V ou 4 Ω, ou 5 zones de haut-parleurs 100 V avec sélecteur de volume 7 positions et OFF (maximum 240 W par zone). Connecteur euroblock. 1 priorité pour atténuateurs, 24 V 100 mA et fermeture de contact. Connecteur euroblock. 1 troisième fil de priorité pour atténuateurs (100 V).
<b>FONCTIONS</b>	Priorité des entrées (par ordre d'atténuation) : · Entrée d'urgence 100 V avec niveau de signal sélectionnable (VOX) · Mute par fermeture de contacts · Microphone de zones ZONEMIC-6 · Panneau mural à distance · Canal 1 avec niveau de signal sélectionnable (VOX) · Canaux 2   3   4   5 avec niveau de signal sélectionnable partagé CH 2-3-4-5 (VOX) · Entrées auxiliaires   Lecteur Anneau lumineux d'alimentation sur le contrôle de volume, indicateurs des entrées AUX, zones et lecteur. Indicateurs lumineux d'alimentation, signal, clip, activation de priorité et protection. Refroidissement par induction, sans ventilateur. Silencieux et sans entretien.
<b>CONTRÔLES</b>	Volume de microphones Volume master Sélecteur pour entrées auxiliaires ou reproducteur Zones avec mise sous tension et 7 positions de volume Tonalité : graves et aigus (+/- 10 dB 100 Hz et 10k Hz) sélecteur mic/line/phantom, tonalités d'appel et priorité Niveau de la sonnerie (chime) Niveau du signal d'activation de priorités (VOX)
<b>REPRODUCTEUR</b>	Lecteur Bluetooth/USB/FM pour lecture de musique d'ambiance Bluetooth 5.3 Autoplay, démarre automatiquement la lecture à l'allumage Mémoire du dernier mode sélectionné Mémoire du mode de lecture (aléatoire, répétition)
<b>IMPEDANCE</b>	4 Ω, ligne 100 V (20 Ω) et 70 V (10 Ω), euroblock
<b>TEMPÉRATURE</b>	Fonctionnement : -10° ~ 40°C Stockage : -20° ~ 60°C
<b>HUMIDITÉ MAXIMALE</b>	90%
<b>ALIMENTATION</b>	230/115 V AC 50-60Hz Consommation électrique : 680 W Fusible AC 230 V 6'3 A / 115 V 12 A
<b>DIMENSIONS</b>	430 x 89 x 320 mm de profondeur. 2 U rack 19"
<b>INCLUS</b>	Antenne FM Antenne Bluetooth® Câble d'alimentation Supports de fixation
<b>OPTIONNEL</b>	ZONEMIC-6 : Microphone de zones

## DESCRIÇÃO

- Amplificador classe D de alta eficiência e fiabilidade com reproduutor Bluetooth®/USB e rádio FM integrados.
- 5 canais de entrada, 3 entradas auxiliares e 5 zonas de saída com controlos de volume independentes.
- Entradas com controlo de prioridade regulável VOX.

## CONTROLOS E FUNÇÕES

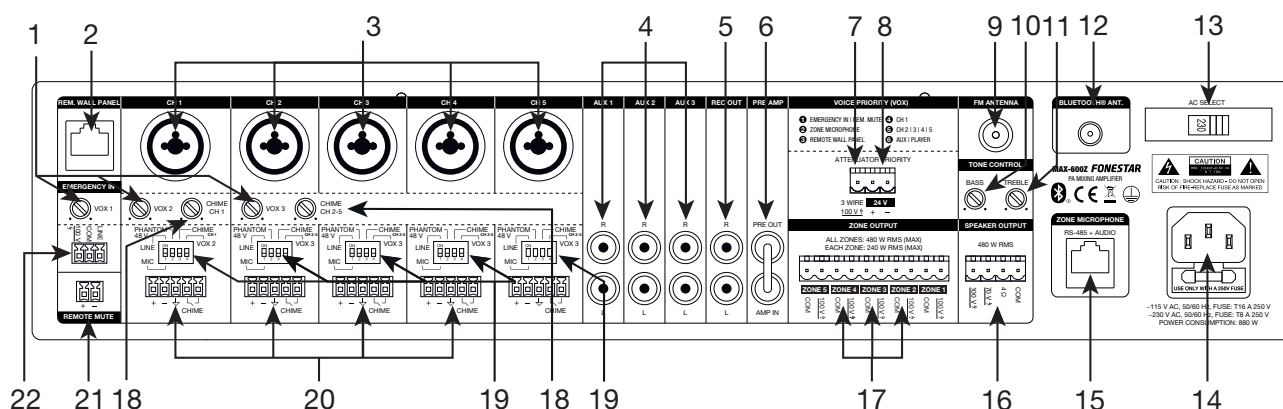
### PAINEL FRONTAL



- 1.- **⓪**: indicador luminoso e interruptor para ligar/desligar o amplificador.
- 2.- **CH 1/CH 2/CH 3/CH 4/CH 5/AUX|PLAYER**: controlos de volume das entradas CH 1, CH 2, CH 3 CH 4 e CH 5 respetivamente e AUX|PLAYER para AUX 1-3 e o reproduutor.
- 3.- **AUX 1/AUX 2/AUX 3/PLAYER**: indicadores luminosos e botões para ativar a entrada AUX 1, AUX 2, AUX 3 ou o reproduutor integrado (Bluetooth®, rádio FM, USB).
- 4.- **FM/USB**: indicadores luminosos do modo ativo no reproduutor.
- 5.- **⏮/⏭**: indicador luminoso de funcionamento do recetor Bluetooth®. Se não existir nenhum dispositivo emparelhado, irá piscar, permanecendo fixo quando existir um dispositivo emparelhado e pronto para enviar áudio.
- 6.- **VOL**: controlo de volume geral do amplificador e indicador luminoso de ligado/desligado do amplificador.
- 7.- **PROTECT**: indicador luminoso de proteção. Ilumina-se quando é ativada a proteção do amplificador por temperatura. Com a proteção ativada, será cortada a saída de áudio. Caso isto aconteça, desligue o equipamento, certifique-se de que as ranhuras de recolha e saída de ar estão desimpedidas e diminua o volume das entradas. Aguarde uns minutos para que o aparelho possa estabilizar antes de o voltar a ligar.
- 8.- **PRIORITY**: indicador luminoso de existência de algum sinal com prioridade VOX.
- 9.- **CLIP**: indicador luminoso de pico de sinal. Caso se ilumine ligeira ou ocasionalmente deverá diminuir o volume de saída. Se o indicador luminoso permanecer iluminado, significa que o sinal de entrada tem um nível muito elevado. Neste caso, diminua o volume do sinal de entrada que o estiver a causar.
- 10.- **SIGNAL**: indicador luminoso que indica a presença de sinal. Ilumina-se ao detetar sinal de saída.
- 11.- Porta USB para reproduzir ficheiros de áudio.
- 12.- **⏮/⏭**: um toque rápido em modo Bluetooth® ou USB passa à faixa de áudio anterior/seguinte; em modo de FM passa à frequência memorizada anterior/seguinte. Em todos os modos, um toque prolongado aumenta/diminui o volume do reproduutor.
- 13.- **⏮/⏭**: em modo de Bluetooth®, um toque rápido inicia/para a reprodução de áudio enquanto um toque prolongado desemparelha o dispositivo ligado e fica a aguardar ser emparelhado novamente. Em modo de USB, um toque rápido inicia/para a reprodução de áudio e um toque prolongado permite mudar o modo de reprodução entre: repetir tudo (1 tom) e reprodução aleatória (2 tons). Em modo de FM, um toque prolongado inicia a memorização automática de todas as frequências que sejam detetadas com qualidade de sinal suficiente.
- 14.- **MODE**: toques rápidos neste botão permitem mudar o modo no reproduutor para escolher a fonte de áudio desejada: Bluetooth®, USB ou rádio FM.

- 15.- **Z1/Z2/Z3/Z4/Z5**: indicadores luminosos e botões para ativar/desativar as zonas de saída ZONE 1, ZONE 2, ZONE 3 ZONE 4 e ZONE 5 respetivamente.
- 16.- **Z1/Z2/Z3/Z4/Z5**: controlos de volume das zonas de saída ZONE 1, ZONE 2, ZONE 3 ZONE 4 e ZONE 5 do painel posterior.

## PAINEL POSTERIOR

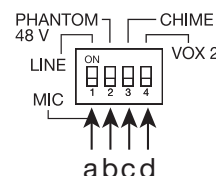


- 1.- **VOX 1/VOX 2/VOX 3**: controlos para ajustar a sensibilidade para dar prioridade nas entradas EMERGENCY IN, CH 1 e CH 2-5 respetivamente sobre os restantes sinais. Dependendo deste ajuste, será necessário um nível de sinal maior ou menor nas entradas para cortar o áudio das restantes fontes menos prioritárias. Tenha em consideração a ordem de prioridade das entradas do amplificador. Para mais informação, consulte a secção FUNCIONAMENTO - PRIORIDADE DAS ENTRADAS.
- 2.- **REM. WALL PANEL**: porta de ligação para painel de parede remoto, conector RJ45. Para mais informação, consulte a secção FUNCIONAMENTO - ENTRADA PAINEL DE PAREDE REMOTO.
- 3.- **CH 1, CH 2, CH 3, CH 4, CH 5**: entradas de áudio VOX, conetores balanceados combo (XLR e jack 6,3 mm) e euroblock (20). Adicionalmente, estas entradas dispõem de um seletor DIP (19) para regular a sensibilidade da entrada MIC/LINE, ativar a alimentação phantom e ativar/desativar a prioridade VOX (VOX 2 para CH 1 e VOX 3 para CH 2, CH 3, CH 4 e CH 5) e CHIME (CHIME CH 1 para CH 1 e CHIME CH 2-5 para CH 2, CH 3, CH 4 e CH 5).
- 4.- **AUX 1/AUX 2/AUX 3**: entradas auxiliares estéreo para ligar dispositivos de áudio como mesas de misturas, computadores, etc. Conectores 2 X RCA.
- 5.- **REC OUT**: saída de gravação estéreo com nível de linha, conetores 2 x RCA.
- 6.- **PRE OUT/AMP IN**: saída de sinal da etapa de pré-amplificador (PRE OUT) e entrada da etapa de amplificação (AMP IN), conetores RCA. Esta entrada e saída dispõem de uma ponte para ligar estas 2 etapas para o equipamento funcionar em conjunto. Se desejar utilizar só a etapa de pré-amplificação, remova a ponte e ligue o seu amplificador à saída PRE OUT; se desejar utilizar a etapa de amplificação, remova a ponte e ligue a saída da sua mesa de mistura/pré-amplificador à entrada AMP IN.
- 7.- **ATTENUATOR PRIORITY - 3 WIRE**: saída de áudio de 100 V para prioridade de mensagem em atenuadores por terceiro fio (atenuadores de 3 fios). Ativa-se quando alguma das entradas tem a prioridade ativada. Para mais informações, consulte o ponto 1 e a secção FUNCIONAMENTO - PRIORIDADE 3.º FIO.
- 8.- **ATTENUATOR PRIORITY - 24 V**: saída de 24 V para prioridade de mensagens em atenuadores com relé de prioridade (atenuadores de 4 fios). Esta saída estará a 0 V se não houver nenhuma prioridade ativa, proporcionando 24 V quando for ativada a prioridade. Para mais informação, consulte a secção FUNCIONAMENTO - PRIORIDADE 24 V.
- 9.- **FM ANTENNA**: entrada para ligar uma antena para FM.
- 10.- **TONE CONTROL - BASS**: filtro passa-baixo com frequência de corte de 100 Hz que atenua/realça as frequências baixas.
- 11.- **TONE CONTROL - TREBLE**: filtro passa-alto com frequência de corte de 10 kHz que atenua/realça as frequências altas.
- 12.- **BLUETOOTH® ANT**: antena de sinal Bluetooth®.

- 13.- **AC SELECT:** seletor de voltagem de alimentação. Se precisar de alterar a voltagem, deve ter em atenção que o fusível deve ser alterado segundo as indicações no produto.
- 14.- Entrada de alimentação elétrica do amplificador 115/230 V.
- 15.- **ZONE MICROPHONE:** porta para ligar microfones de zonas, conector RJ45. Para mais informação, consulte a secção FUNCIONAMENTO - ENTRADA MICROFONE DE ZONAS.
- 16.- **SPEAKER OUTPUT:** saída de colunas de baixa impedância 4  $\Omega$ , linha de 100 V e linha de 70 V de 600 W RMS, conector euroblock. Tenha em atenção que a escolha das colunas deve ajustar-se às especificações do amplificador para efetuar a ligação em série ou paralelo (só paralelo para linha de 100 V) e obter uma potência e impedância adequadas à saída do amplificador.
- 17.- **ZONE OUTPUT:** saídas de colunas de linha de 100 V, conector euroblock. Cada zona está limitada a um máximo de 240 W RMS e a soma das 5 zonas não pode exceder os 600 W RMS proporcionados pelo amplificador. Tenha em atenção que a escolha das colunas deve ajustar-se às especificações do amplificador para efetuar a ligação em paralelo e obter uma potência e impedância adequadas à saída do amplificador.
- 18.- **CHIME CH 1, CHIME CH 2-5:** controlos de volume do tom CHIME. CHIME CH 1 para CH 1 e CHIME CH 2-5 para CH 2, CH 3, CH 4 e CH 5.

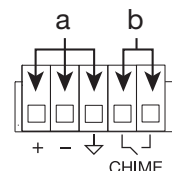
19.- Seletores DIP:

- a.- **LINE/MIC:** altera a sensibilidade da entrada para microfones (MIC) ou para reprodutores/misturadores (LINE).
- b.- **PHANTOM 48 V:** ativa/desativa a alimentação PHANTOM 48 V nos conectores desta entrada, necessária para microfones de condensador.
- c.- **CHIME:** ativa/desativa a função de gerar um tom CHIME quando se fecha contactos na entrada CHIME correspondente.
- d.- **VOX 1-3:** ativa/desativa a prioridade desta entrada.



20.- Conector euroblock:

- a.- +, -,  $\downarrow$  : terminais de entrada para ligar o sinal de entrada balanceada. CH 1 dispõe de outro conector combo para ligar o sinal de entrada, enquanto CH 2, CH 3, CH 4 e CH 5 só dispõe deste conector euroblock para ligar o sinal de entrada. Esta entrada dispõe ainda de seletores DIP (19) para regular a sensibilidade da entrada MIC/LINE, ativar a alimentação phantom e ativar/desativar a prioridade VOX e CHIME.
- b.- **CHIME:** fecho de contactos para desencadear um tom CHIME.



- 21.- **REMOTE MUTE:** permite silenciar de forma remota todas as entradas do amplificador, exceto EMERGENCY IN, com a ajuda de um interruptor. Conector euroblock. Esta entrada está em circuito aberto; para o silenciar deve fechar o circuito.
- 22.- **EMERGENCY IN:** entrada de áudio de nível de linha ou 100 V para ligar um sistema de emergência, euroblock. Se for um sinal de linha, use LINE e COM, mas se for 100 V use 100 V e COM.

**NOTA:** a entrada de EMERGENCY IN de 100 V só admite sinais 100 V e COM. A saída 100 V em alguns amplificadores de Classe D fornece -50 V e +50 V (BTL) em vez de 100 V e COM. Este tipo de saídas 100 V (+50 V, -50 V) não são compatíveis com esta entrada uma vez que irá receber um sinal de -50 V pela porta de massa, o que pode fazer com que o amplificador que fornece a saída detete falha e ative o seu mecanismo de proteção.

## FUNCIONAMENTO

### PRIORIDADE DAS ENTRADAS

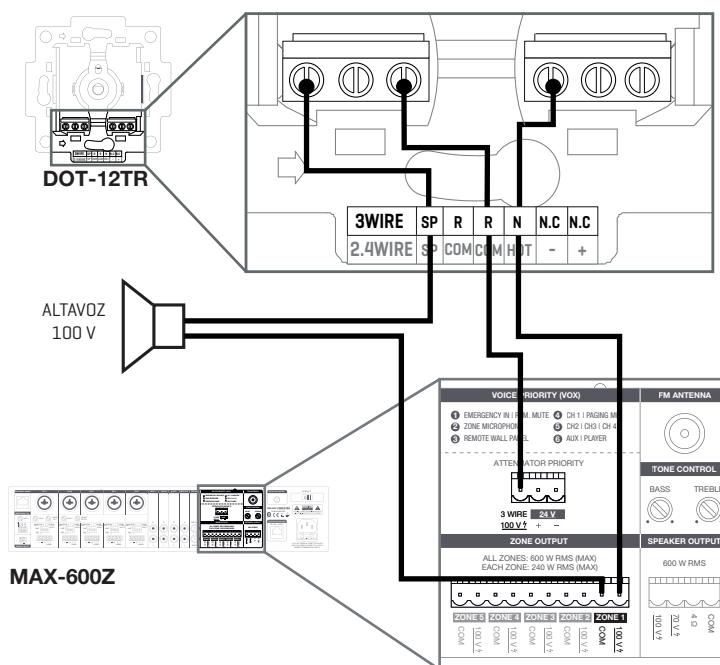
- A prioridade VOX das diferentes entradas é ativada por nível de sinal e pode ser regulada com os controlos VOX do painel posterior.
- A prioridade dos CH 1-5 pode ser desativada através do microinterruptor DIP VOX 2 (CH 1) ou VOX 3 (CH 2-5).

- Ordem de prioridade:

- 1.- A entrada EMERGENCY IN possui a prioridade máxima, atenuando todas as outras entradas quando há sinal presente. Esta prioridade é baseada no nível do sinal e pode ser selecionada através do controle VOX 1.
- 2.- A entrada REMOTE MUTE atenua todas as entradas, exceto a entrada EMERGENCY IN, quando ocorre o fechamento/abertura de contatos em seus terminais, conforme a configuração.
- 3.- A entrada ZONE MICROPHONE tem prioridade sobre as entradas REMOTE WALL PANEL, CH 1, CH 2, CH 3, CH 4, CH 5, AUX e o reproduzidor.
- 4.- A entrada REMOTE WALL PANEL tem prioridade sobre as entradas CH 1, CH 2, CH 3, CH 4, CH 5, AUX e o reproduzidor.
- 5.- A entrada CH 1 tem prioridade sobre as entradas CH 2, CH 3, CH 4, CH 5, AUX e o reproduzidor. Esta prioridade é baseada no nível do sinal e pode ser selecionada através do controle VOX 2.
- 6.- As entradas CH 2, CH 3, CH 4 e CH 5 têm prioridade sobre AUX 1, AUX 2, AUX 3 e o reproduzidor, podendo ser selecionadas através do controle VOX 3.
- 7.- As entradas AUX 1, AUX 2, AUX 3 e o reproduzidor não possuem prioridade em relação às demais entradas.

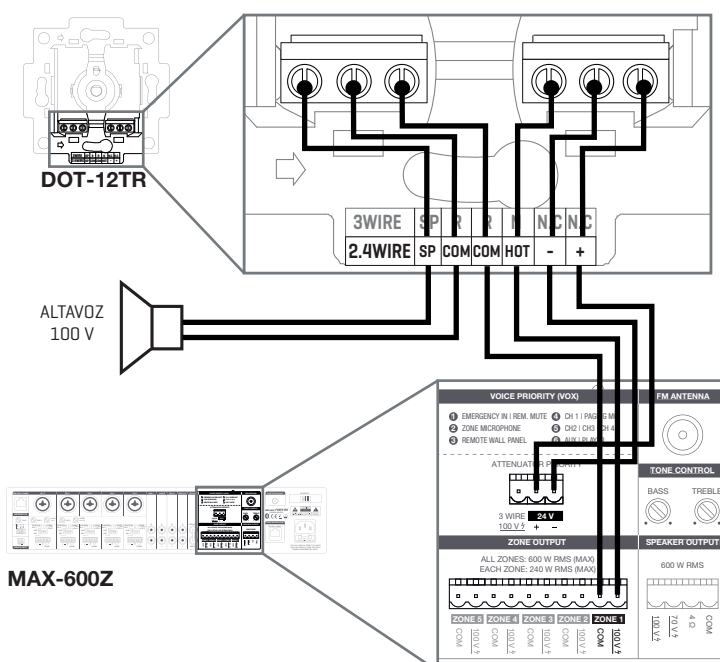
### PRIORIDADE 3.º FIO

Para ligação com atenuadores por três fios como o **DOT-12TR**. Quando existir sinal no PIN 3WIRE, que contém o sinal de áudio 100 V, este irá passar diretamente à coluna sem nenhum tipo de atenuação.



### PRIORIDADE 24 V

Para ligação com atenuadores por quatro fios como o **DOT-12TR**. Quando o PIN 3WIRE fornecer um sinal de 24 V CC, o sinal do amplificador que passe pelo atenuador irá passar diretamente à coluna sem nenhum tipo de atenuação.



## REPRODUTOR (PLAYER)

Para usar o reprodutor deve ativar esta entrada pressionando o botão PLAY e o indicador luminoso ficará iluminado. De seguida, selecione o modo com o botão MODE:

### MODO BLUETOOTH®

- Selecione o modo Bluetooth® no amplificador para emparelhar o seu smartphone ou tablet a partir do qual deseja enviar áudio. O indicador luminoso irá piscar indicando que está pronto para ser emparelhado.
- No seu smartphone/tablet, ative o modo bluetooth, procure o dispositivo **MAX-600Z** e selecione o mesmo. O indicador luminoso ficará iluminado permanentemente indicando que está emparelhado.
- Por último, selecione a música no seu smartphone/tablet e inicie a reprodução.
- Pressione ◀ e ▶ para mudar de faixa ou ▶|| para retomar/pausar a reprodução.

**NOTA:** certifique-se de que o seu smartphone/tablet tem volume suficiente para poder ser ouvido através do amplificador. Deste modo, agora poderá controlar o volume a partir do próprio amplificador sem ter de manipular mais nenhum equipamento.

### MODO RÁDIO FM

- Selecione o modo FM.
- **NOTA:** para utilizar este modo deve ligar uma antena no painel posterior FM ANTENNA.
- Efetue uma sintonização automática das emissoras para começar a utilizar este modo pressionando prolongadamente o botão ▶||.
- Quando terminar poderá seleccionar a emissora que deseja ouvir de todas as sintonizadas com ◀ e ▶.

### MODO USB

- Selecione o modo USB.
- Ligue o dispositivo USB.
- Pressione ◀ e ▶ para mudar de faixa ou ▶|| para parar/retomar a reprodução.
- Poderá mudar o modo de reprodução entre repetir tudo (1 tom) e reprodução aleatória (2 tons) pressionando prolongadamente o botão ▶||.

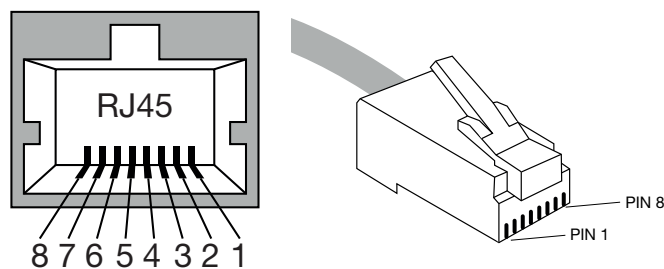
## ENTRADA MICROFONE DE ZONAS

Entrada para ligar microfones de zonas como o **ZONEMIC-6** que permite dar avisos a 1 ou várias zonas. Estes avisos poderão ser mensagens em direto ou gravadas.

**NOTA:** é possível ligar até um total de 4 unidades de microfones **ZONEMIC-6** em cascata tendo em conta que o comprimento total dos cabos não pode ultrapassar os 200 metros, desde o amplificador **MAX-600Z** até ao último microfone da instalação.

O pinout do conector RJ45 fêmea do amplificador **MAX-600Z** é:

CONECTOR FÊMEA	PINOUT T-568B	FUNÇÃO	
Pin 1	Branco-Laranja	áudio+	Sinal de áudio balanceado
Pin 2	Laranja	áudio-	
Pin 3	Branco-Verde	GND	
Pin 4	Azul	D+ (A)	Comunicação RS485
Pin 5	Branco-Azul	D- (B)	
Pin 6	Verde	+15 V CC	Alimentação
Pin 7	Branco-Castanho	GND	
Pin 8	Castanho	-15 V CC	

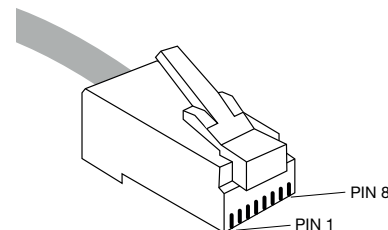
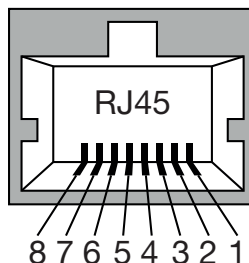


## ENTRADA PAINEL DE PAREDE REMOTO

Numa entrada de áudio que fornece alimentação 15 V CC. Normalmente para ligar um painel de ligação de parede remoto ou a saída de um misturador/reprodutor. Devido à sua prioridade, este sinal não será misturado com os restantes sinais dos CH 1-5 ou AUX integrados no amplificador.

O pinout do conector RJ45 fêmea do amplificador **MAX-600Z** é:

CONETOR FÊMEA	PINOUT T-568B	FUNÇÃO	
Pin 1	Branco-Laranja	áudio +	Canal L balanceado
Pin 2	Laranja	Áudio -	
Pin 3	Branco-Verde	GND	
Pin 4	Azul	áudio +	Canal R balanceado
Pin 5	Branco-Azul	áudio -	
Pin 6	Verde	GND	
Pin 7	Branco-Castanho	+15 V CC	Alimentação
Pin 8	Castanho	GND	



## LIGAÇÃO

**IMPORTANTE:** refrigere a etapa corretamente. Para tal, certifique-se de que o local de instalação tem acesso a um fluxo de ar constante e que as ranhuras do chassis estão desimpedidas.

- Com o amplificador desativado, ligue todas as fontes de áudio CH, AUX e EMERGENCY IN, selecione o tipo de entrada LINE/MIC e ative/desative a alimentação PHANTOM nos canais CH 1 a CH 5 através dos microinterruptores DIP de cada canal de entrada.

(OPCIONAL) Ligue o microfone de zonas e o painel de parede/mural.

Se planear usar o rádio, é recomendado ligar uma antena de receção FM.

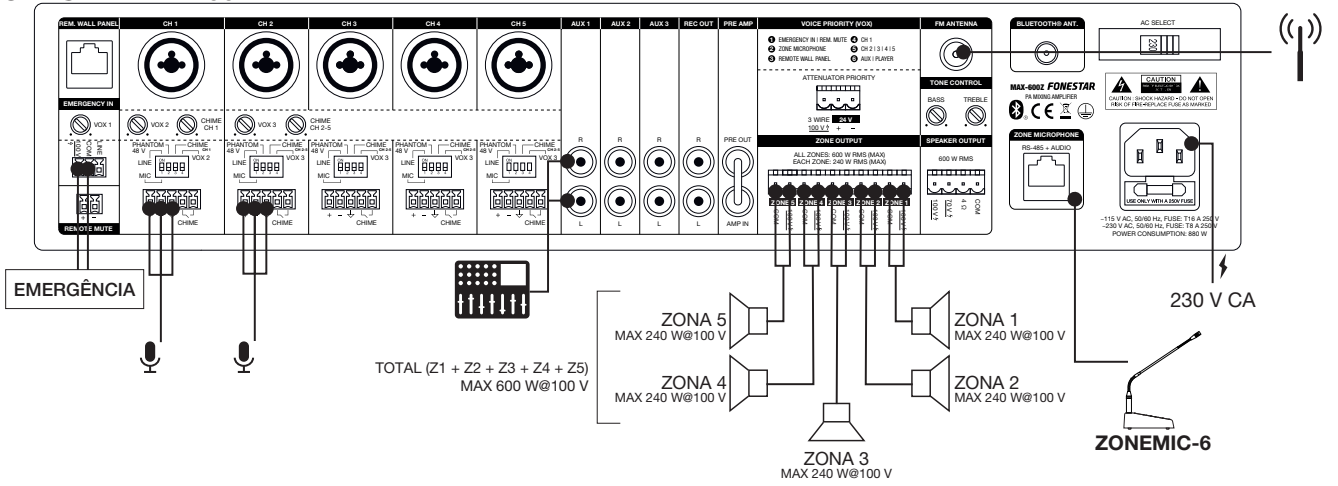
- Ligue as colunas à saída correspondente de baixa impedância\* (4  $\Omega$  + COM), linha de 100 V\* (100 V + COM), linha 70 V\* (70 V + COM), zonas\* (ZONE 1-5) ou à saída de gravação estéreo (REC OUT).

**\*IMPORTANTE:** para o correto funcionamento e usufruto das funcionalidades do equipamento, utilize a potência, impedância e limites de frequência adequados. Antes de proceder à ligação com outros equipamentos, tenha em atenção as condições necessárias a uma instalação de ALTA IMPEDÂNCIA (100 V) e BAIXA IMPEDÂNCIA. Pode encontrar mais informação em:

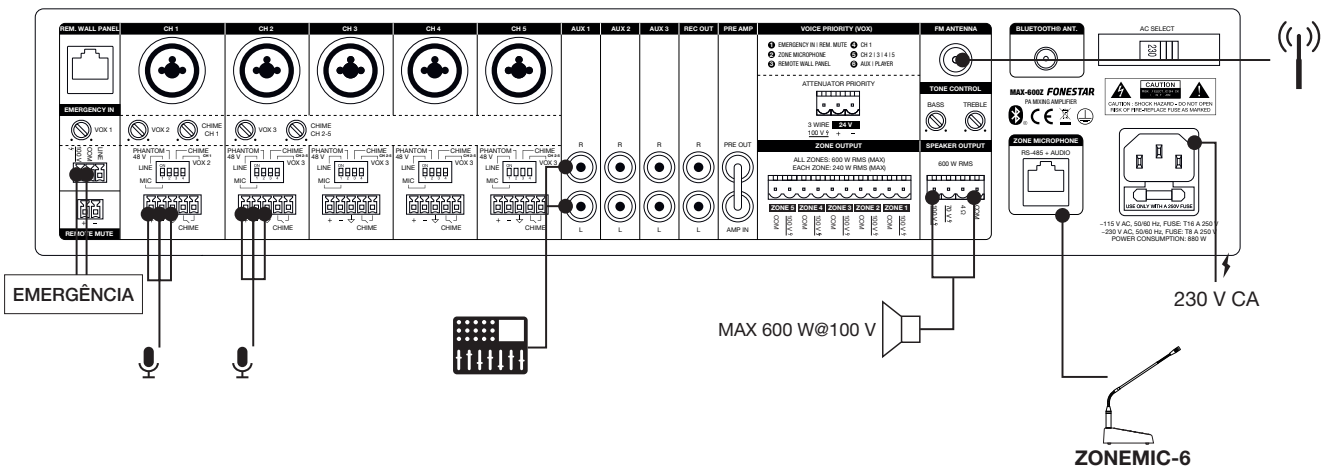
[fonestar.com/downloads/install\\_fonestar\\_es.pdf](http://fonestar.com/downloads/install_fonestar_es.pdf)

- Confirme que os controlos de volume estão no mínimo e ligue o amplificador à alimentação.
- Ligue o amplificador e ative a entrada AUX ou PLAY e as saídas (se utilizar a saída de zonas ZONES) que deseja utilizar usando os botões do painel frontal do amplificador.
- Verifique os controlos de volume das entradas, saídas e o volume geral.
- **PRIORIDADE:** ative a prioridade nas entradas desejadas usando os microinterruptores DIP e regule a sensibilidade usando os controlos VOX das entradas.
- Por último, regule a equalização com os controlos BASS e TREBLE do painel posterior.

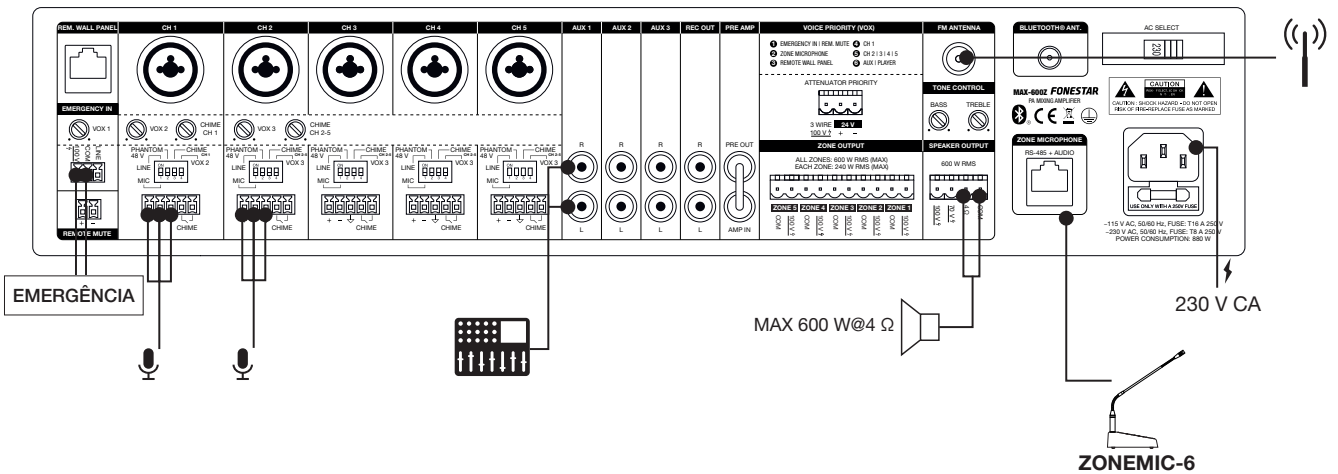
### 5 ZONAS - LINHA 100 V



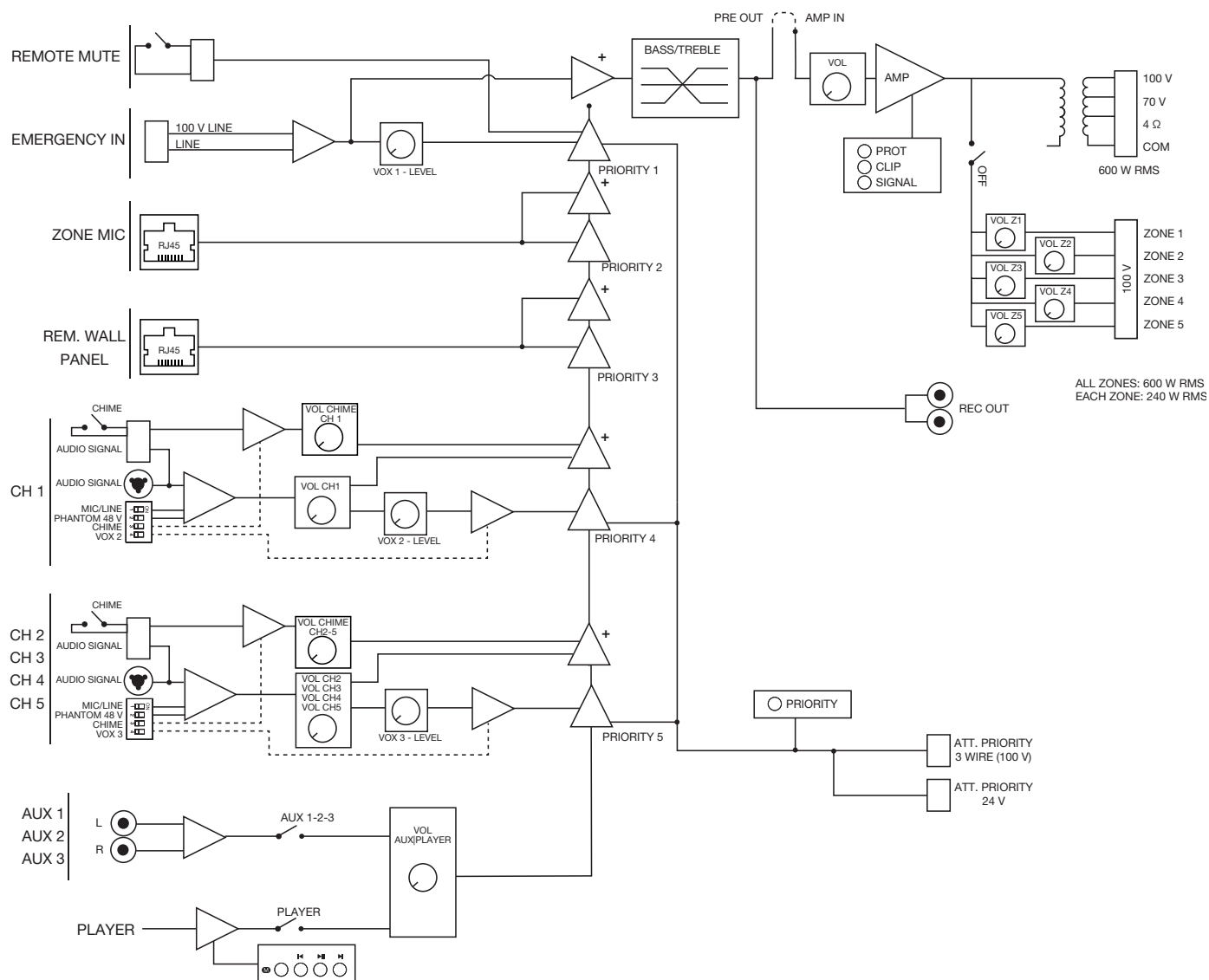
### LINHA 100 V



### BAIXA IMPEDÂNCIA



# DIAGRAMA DE BLOCOS



## DECLARAÇÃO UE DE CONFORMIDADE SIMPLIFICADA

A abaixo assinada, FONESTAR SISTEMAS S.A. declara que o amplificador de megafonia BLUETOOTH/USB/FM e zonas MAX-600Z está em conformidade com a Diretiva 2014/53/UE.

O texto integral da declaração de conformidade está disponível no seguinte endereço de Internet: [fonestar.com/MAX-600Z](http://fonestar.com/MAX-600Z)

## ESPECIFICAÇÕES TÉCNICAS

	<b>MAX-600Z</b>
<b>CARACTERÍSTICAS</b>	<p>Amplificador de megafonia Class D e fonte de alimentação comutada SMPS.  Reprodutor Bluetooth®/USB/FM. Bluetooth® 5.3  Entrada de microfone de zonas ZONEMIC-6.  Entrada para painel remoto de parede.  Entradas de microfone com controlo de mistura, ganho e nível de prioridade.  Gerador de tons de chamada (Chime).  3 entradas auxiliares.  Entrada de Emergência e mute para ligar a sistemas de alarme e evacuação.  Prioridade de atenuadores 24 V.  Saída de 3.º fio (100 V) com prioridade para atenuadores.  Controlos de tom.  Saídas de 100 V, 70 V e 4 Ω.  5 zonas de saída com controlo de volume e Off.</p>
<b>POTÊNCIA</b>	600 W RMS

<b>RESPOSTA</b>	45-22.000 Hz (-10 dB)
<b>DISTORÇÃO</b>	THD+N: <0,5% a 1 kHz
<b>RELAÇÃO SINAL/RUÍDO</b>	Mic >73 dB, Line >80 dB, Aux >84 dB
<b>PROTEÇÕES</b>	Ativação suave, excesso de corrente, sobrecarga, temperatura e curto-circuito
<b>ENTRADAS</b>	M Microfone de zonas ZONEMIC-6, RJ45, até 200 m de comprimento de cabo. Painel remoto de parede, RJ45, 2 x 250 mV RMS (-12 dBV). CH 1, 2, 3, 4 e 5 micro/linha balanceada com Phantom 48 V. Conector Combo (XLR + 6,3 mm) e euroblock. Tons de chamada por fecho de contactos. Nível de sinal de micro: 5,2 mV RMS (-45 dBV) / 600 Ω. Nível de sinal de linha: 220 mV RMS (-13 dBV) / 100 kΩ. 3 AUX. Conector 2 x RCA. Nível de sinal 270 mV RMS (-11 dBV) / 47 000 Ω. 1 emergência. Conector euroblock. Nível de sinal: linha 326 mV RMS (-10 dBV) ou linha 100 V. Mute (prioridade de emergência) por fecho de contactos. Conector euroblock. 1 Amp-in. Conector RCA. Nível de sinal 1,2 V RMS (+1,5 dBV).
<b>SAÍDAS</b>	1 REC. Conector 2 x RCA. Nível de sinal 316 mV RMS (-10 dBV). Pre-master. 1 Pre-out. Conector RCA. Nível de sinal 1,2 V RMS (+1,5 dBV). Saída de altifalantes de 100 V, 70 V ou 4 Ω, ou 5 zonas de altifalantes 100 V com seletor de volume de 7 posições e OFF (máximo 240 W por zona). Conector euroblock. 1 prioridade de atenuadores, 24 V 100 mA e fecho de contactos. Conector euroblock. 1 terceiro fio de prioridade para atenuadores (100 V).
<b>FUNÇÕES</b>	Prioridade de entradas (por ordem de atenuação): Anel luminoso de ativação no controlo de volume, indicadores de entrada AUX, zonas e reproduutor. Indicadores luminosos de ativação, sinal, clip, ativação de prioridade e proteção Refrigeração por indução, sem ventilador. Silenciosa e sem manutenção
<b>CONTROLOS</b>	Volume de microfones Volume master Seletor de entradas auxiliares ou reproduutor Zonas com ativação e 7 posições de volume Tom: graves e agudos (+/- 10 dB 100 Hz e 10k Hz) Seletor de mic/line/phantom, tons de chamadas e prioridade Nível de tom de chamada (chime) Nível de sinal de ativação de prioridades (VOX)
<b>REPRODUTOR</b>	Leitor Bluetooth/USB/FM para reprodução de música ambiente Bluetooth 5.3 Autoplay, inicia automaticamente a reprodução ao ligar Memória do último modo seleccionado Memória do modo de reprodução (aleatório, repetição)
<b>IMPEDÂNCIA</b>	4 Ω, linha 100 V (42 Ω) e 70 V (20 Ω), euroblock
<b>TEMPERATURA</b>	Funcionamento: -10 °C ~ 40 °C Armazenamento: -20 ° ~ 60 °C
<b>HUMIDADE MÁXIMA</b>	90%
<b>ALIMENTAÇÃO</b>	230/115 V CA 50-60Hz Consumo de potência: 750 W Fusível CA 230 V 8 A / 115 V 16 A
<b>MEDIDAS</b>	430 x 89 x 320 mm de profundidade. 2 U rack 19"
<b>INCLUI</b>	Antena FM Antena Bluetooth Cabo de alimentação Suportes para rack
<b>OPCIONAL</b>	ZONEMIC-6: Microfone de zonas





[www.fonestar.com](http://www.fonestar.com)