



TEC 076
PORTABLE DVD KARAOKE SOUND SET
WITH DUAL VHF RADIO MICROPHONES
PLUS 2 WIRED MICROPHONES
170.125

Instruction Manual
Gebruiksaanwijzing
Mode d'Emploi
Gebrauchsanleitung

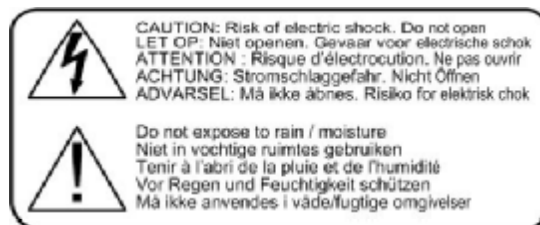
Brugsanvisning

GB

Congratulations on the purchase of this SkyTec Karaoke set.
Please read this manual carefully prior to using the unit.

Warning:

- Read the manual prior to using the unit.
- Keep the manual for future reference.
- Keep the packaging for safer transport in its original packaging
- Prior to the first use, have the unit checked by a qualified person.
- The unit contains voltage carrying parts. DO NOT open the unit.
- When you unplug the unit from the mains always pull the plug, never the lead.
- Never plug or unplug the unit with wet hands.
- If the plug and/or mains lead are damaged, they need to be repaired by a qualified technician.
- If the unit is damaged to an extent that you can see internal parts, do not plug the unit into a mains outlet.
- Repairs have to be carried out by a qualified technician.
- Only connect this unit to an earthed mains outlet of 230Vac/50Hz and 10-16A.
- Do not place the unit near heat sources.
- Always unplug the unit during a thunderstorm or when it is not in use.
- If the unit has not been used for a longer period of time, condensation can occur inside the housing. Please let the unit reach room temperature prior to use.
- To avoid accidents in public premises, the legal requirements must be fulfilled and instructions/warnings must be adhered to.
- Keep out of the reach of children.
- All volume controls must be set to zero prior to switching the unit on.
- Do not use cleaning sprays for the slider controls. The residues of these spray cause dust deposits in the controls. If a problem occurs, please consult a specialist.
- Always handle CDs with clean hands. Do not insert a damaged CD.
- Always close the CD tray to keep the laser eye clean.
- Do not clean the unit with chemical solutions. This might damage the finish. Only use a dry cloth for cleaning.



PARTS DESCRIPTION

Thanks you for choosing our products.

Please take a few moments to read these instructions carefully, as we want you to enjoy your new product to the full. This all-in-one Karaoke / DVD / MP3 Player is packed with great features and is ideal for home entertainment and various PA applications such as conferences, meetings, exhibition, education etc

FEATURES :

- Excellent quality achieved by using SANYO dustproof digital chips and intelligent fan.
- Supplied with 2 handheld VHF radio microphones plus 2 wired handheld microphones.
- 70W high power output amplifier.
- With AC-3, DTS etc. 5.1 surround sound outputs.
- Fibre optic, coaxial, VGA and high definition image output sockets.
- Full function remote control.
- Units can be linked for use in large venues.
- Built-in sound source equipment: DVD /MP3 Player
- Built-in AC-DC serving dual purposes power supply system with intelligence: auto check the capacity of the battery, auto charge the battery, AC auto change to DC, it makes you more convenient.
- Facility for 2 wired microphones.
- Special protection circuitry can effectively protect your amplifier.
- Support USB, Card Reader function (SD / MMC)

SPECIFICATION

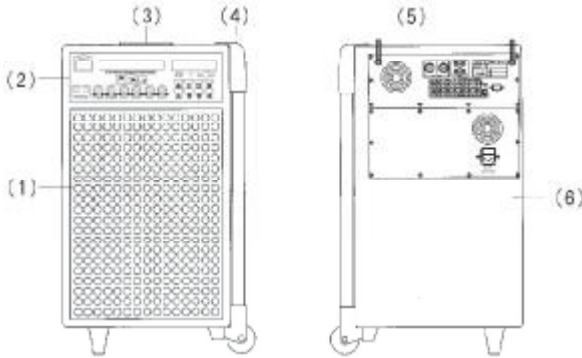
MAX Output power:70W (RMS) / 4 Ω load impedance
T.H.D.: <0.1%
Frequency Response:50Hz-20kHz \pm 3dB
Input Sound Source: DVD / MP3/ Card Reader / USB/ Radio and Wired microphones/
external input sound source
Speaker:Built-in 8 inch bass speaker and 1 inch tweeter
Card reader memory medium:MMC Card, SD Card
Power supply: .. AC 220V at 50Hz, auto power source management system,
..... intelligent battery charger and two pieces of 12V/5AH
..... rechargeable batteries.
Battery life: Voice-amplifying for 10 hours and DVD-playing for 5 hours.
Dimensions: 540 x 330 x 290mm
Weight : 21.4kg.

FEATURES OF DVD PLAYER:

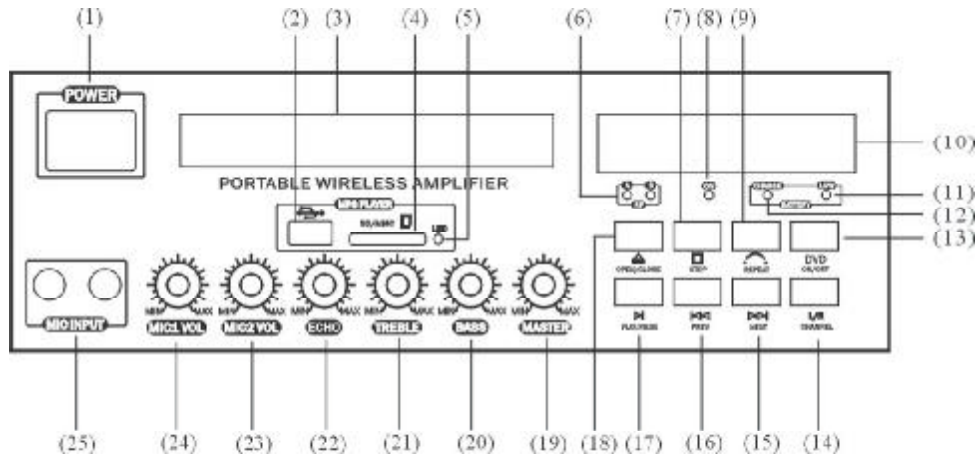
- With AC-3, DTS, PCM, MPEG etc. digital audio decoding output.
- Hi-Fi quality with 96kHz/24bit audio digital processing.
- High definition of image details output
- Optical and coaxial audio output.
- With high stability and auto correction.
- Compatible with DVD, CD, CD-G, CD-R, MP3, KODAK Picture CD
- USB, Card reader supports MP3, WMA

Illustration

1. Speaker Grille
2. Front panel
3. Carry Handle
4. Trolley
5. Rear Panel
6. Enclosure

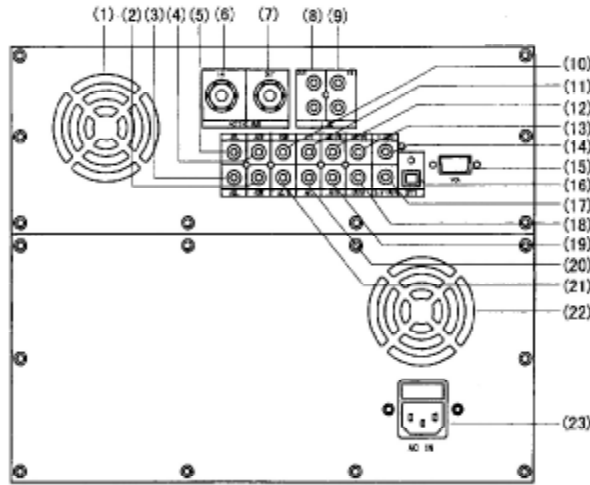


FRONT PANEL OF THE AMPLIFIER:



- | | |
|-----------------------------------|--------------------------------------|
| 1. Power Switch | 15. Next button |
| 2. USB Input | 16. Prev button |
| 3. DVD tray | 17. Play/Pause button |
| 4. SD/MMC Card Input | 18. DVD IN/OUT Button |
| 5. SD/MMC LED indicator | 19. Master Volume control |
| 6. Radio microphone RF indicators | 20. Bass knob |
| 7. DVD Stop Button | 21. Treble knob |
| 8. Power Source Indicator | 22. Echo control knob |
| 9. Repeat Button | 23. Wired Microphone (2) Volume knob |
| 10. DVD LCD Display panel | 24. Wired Microphone (1) Volume knob |
| 11. Battery Low indicator | 25. Wired Microphone Input Sockets |
| 12. Battery-charge Indicator | |
| 13. DVD ON/OFF | |
| 14. DVD channel sound switch | |

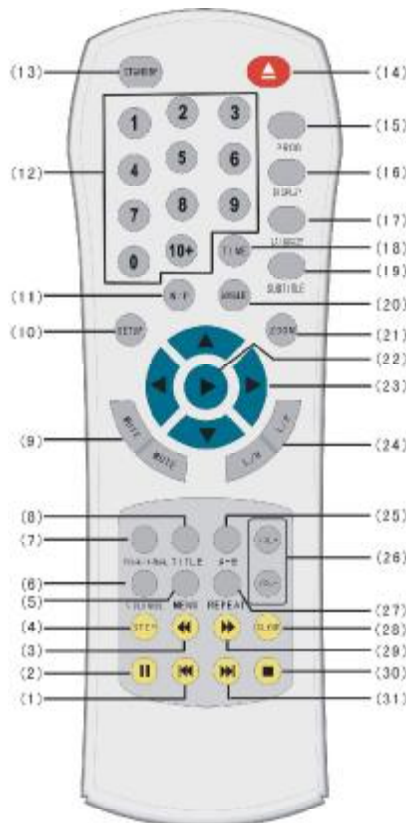
BACK PANEL OF THE AMPLIFIER:



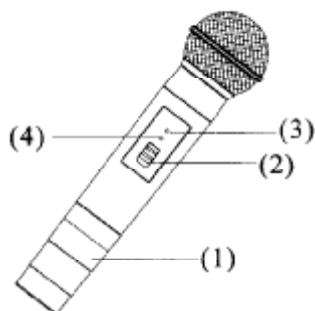
- | | |
|--|----------------------------|
| 1. Ventilation grille. | 11, 12, 13. RGB output |
| 2. Surround sound right satellite output | 14. Composite video output |
| 3. Surround sound left satellite output | 15. VGA output |
| 4. Front right surround sound output | 16. Optical output |
| 5. Front left surround sound output | 17. S-Video output |
| 6. Interlink connection input. | 18. Coaxial output |
| 7. Interlink connection output | 19. Right mix output |
| 8. Line output | 20. Left mix output |
| 9. Line input | 21. Centre speaker output |
| 10. Super Bass output | 23. Fused IEC mains inlet. |

REMOTE CONTROL.

1. LAST key
2. PAUSE key
3. BACKWARD key
4. STEP key
5. MENU key
6. VIDEO MODE key
7. PSCAN / NORMAL key
8. TITLE key
9. MUTE key
10. SETUP key
11. SYSTEM TYPE key
12. NUMBER key
13. STANDBY key
14. EJECT key
15. PROG key
16. DISPLAY key
17. LANGUAGE key
18. TIME key
19. SUBTITLE key



20. ANGLE key
21. ZOOM key
22. PLAY key
23. DIRECTION key
24. Left / Right Sound Channel
25. A-B key
26. VOLUME key
27. REPEAT key
28. SLOW key
29. FORWARD key
30. STOP key
31. NEXT key



HANDHELD MICROPHONE

1. Battery Compartment/Cover
2. Power Switch
3. Power LED Indicator
4. Low Battery LED Indicator

SYSTEM CONNECTION:

Video Connection:

- The system has various types of output: Composite video, S-VHS, VGA socket and RGB.
- The video connection is chosen according to the input socket of your TV/monitor.
- Remember that the various outputs cannot be connected at the same time, to avoid affecting result of image output.

Audio Connection:

- The audio output of the system is divided into two kinds: simulated audio and digital audio. Simulated audio has two sound channels of stereo audio, 5.1 channel audio of AC-3, digital audio has fiber and coaxial output.
- Chose pattern according to your outer equipment. If your outer equipment is an ordinary TV, you can only choose stereo output; if your outer equipment is an amplifier with 5.1 sound channel input, you can watch the effect of AC-3 home cinema.
- The DVD output has wide dynamic range, so the volume of the amplifier must be moderate, or the speaker would be destroyed by the sudden produced super high volume.

SYSTEM SETTING:

- Press the SETUP button, the panel displays the menu.
- Use the direction keys (____) to move to corresponding item, then press the SETUP button again to exit the setup menu.
- Sound / Subtitle / Language setup of disc menu needs support of the disc.
- When you setup the grade of disc play, you need to input the secret code of the system, the preset of the company is 0000.

BASIC PLAY:

- EJECT: Press the POWER key to put trough the power supply. Press the EJECT key to open the disc room, put in the disc, and press the EJECT key again to close the DVD

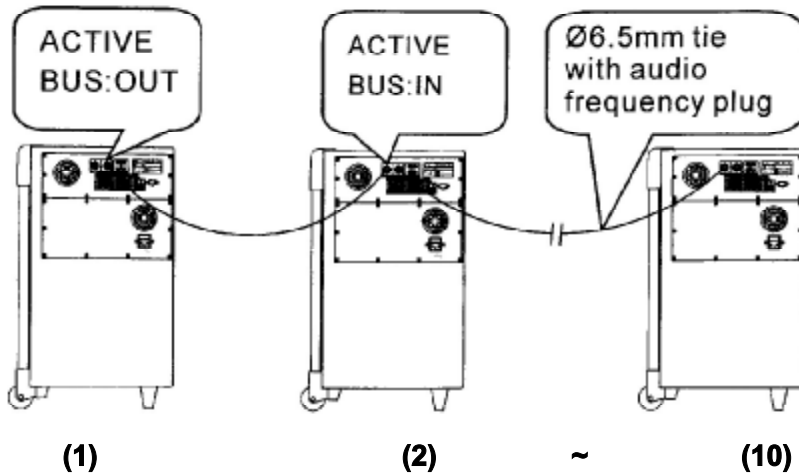
room. When the DVD amplifier finished reading the disc, it will display the disc type on the TV screen and auto-play.

- **PROG key:** Press the PROG key and the TV screen displays the program menu. Then you can use the number keys and the direction keys to adjust the play order of the songs in the disc.
- **SYSTEM TYPE key:** According to the system of your TV, use the SYSTEM TYPE key to adjust the output system type.
- **SUBTITLE key:** Press the SUBTITLE key, you can choose one kind of subtitle display from your disc. (Your DVD disc must support this function)
- **LANGUAGE key:** Use the LANGUAGE key to choose the language you need when playing multi-language disc.
- **ANGLE key:** If your DVD disc includes multi-scene taking, you can use the ANGLE key to change from one angle to another.
- **ZOOM key:** With the ZOOM key, you can magnify or zoom the picture. You can use the direction keys to change the position of the picture in the status of magnifying.
- **SOUND CHANNEL key:** When you are playing multi-channel VCD or CD, you can use the SOUND CHANNEL key to choose output from the left sound channel or the right sound channel and select stereo or mixed sound output.
- **SLOW key:** With the SLOW key, you can watch the slow down motion pictures in the process of disc playing. But the DVD player mutes when you press the SLOW key.
- **STEP key:** Press the STEP key, the DVD player plays step by step. Press the PLAY key to return to normal mode.
- **A-B key:** When playing DVD, VCD, CD, you can use the A-B key to watch any part in the discs. When the DVD player is playing a disc, you can press the A-B key to choose the start point (refer to Point A) of the part you want to repeat and press the A-B key again to choose the end point (mend by Point B). Then the DVD player repeats the part between A and B. Press the A-B key for the third time, you can cancel the preset part repeat and return back to normal play.
- **REPEAT key:** With the repeat key, you can repeat to play any title, paragraph, song or all the disc.
- **TITLE key:** When the DVD player is playing DVD disc, use the TITLE key to return to the first class title to play.
- **MENU key:** When the DVD player is playing DVD disc, press the MENU key to change subordinate menu, and press the MENU key again to return to the main menu.
- **PSCAN / NORMAL key:** With the PSCAN / NORMAL key, you can adjust the video output mode in cycle.
- **VIDEO MODE key:** With this key you can adjust the brightness, contrast, and hue of the state of your screen. The DVD player provides four states: memory, standard, dynamic and soft.
- **STANDBY key:** With the STANDBY key you can control the power switch of the DVD player.

SERIES CONNECTION OF THE AMPLIFIER:

- In order to suit larger venues, units can be interlinked. The amount of amplifiers can be up to ten. The connection way is as the attached figure.
- In the attached figure, (1) is the main control amplifier (2~10) are the controlled amplifiers. The controlled amplifier's input sound source, volume and tone are controlled by the main control amplifier.
- When the system is in series connection, the output power of the main control amplifier auto reduces to suit for monitoring..

NOTE: When the system is in series connection, you should connect the amplifier correctly, or it will possibly cause damage to the amplifier.



*Do not attempt to make any repairs yourself. This would invalid your warranty.
Do not make any changes to the unit. This would also invalid your warranty.
The warranty is not applicable in case of accidents or damages caused by inappropriate use or disrespect of the warnings contained in this manual.
SkyTronic UK cannot be held responsible for personal injuries caused by a disrespect of the safety recommendations and warnings. This is also applicable to all damages in whatever form.*